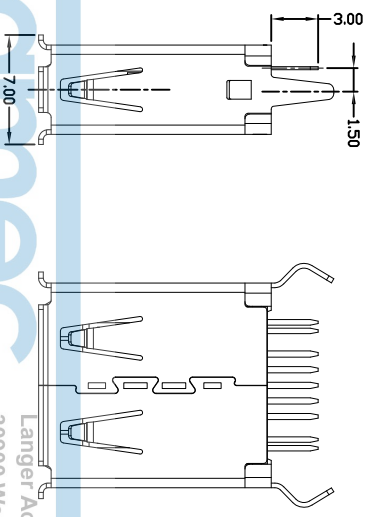
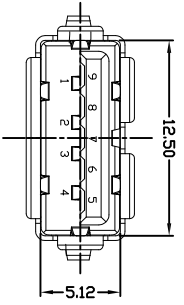
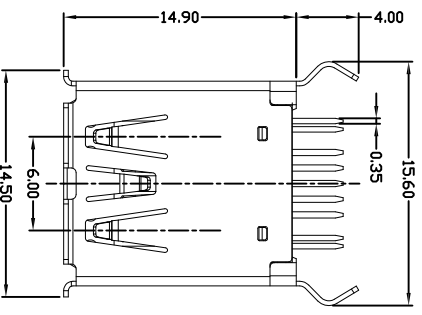
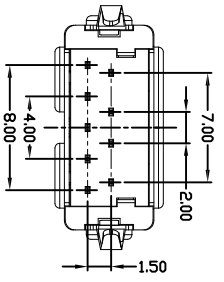
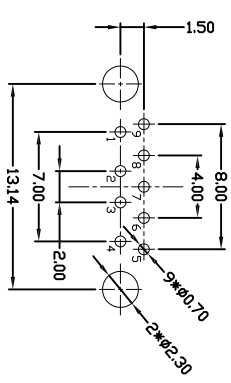


REV.	DESCRIPTION	DATE
A	New Drawing	2017/05/11

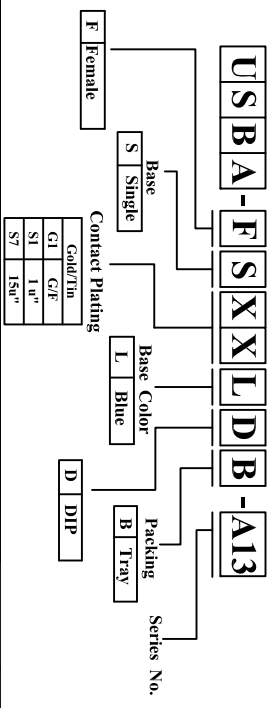


PIN NUMBER	SIGNAL NAME
1	VBUS
2	D-
3	D+
4	GND
5	STDA_SSRX-
6	STDA_SSRX+
7	GND_DRAIN
8	STDA_SSTX-
9	STDA_SSTX+



Langer Acker 32
30900 Wedemark
Germany

(+49) 5130 756442
info@amec-gmbh.de
www.amec-gmbh.de



- NOT ELECTRICAL:
- CURRENT RATING: 1.5AMP;
 - INSULATION RESISTANCE: 100MΩ MIN;
 - CONTACT RESISTANCE: 30mΩ MAX;
 - WITHSTANDING VOLTAGE: 100V AC;
 - OPERATING TEMPERATURE: -40°C ~ +85°C.
2. Mechanical:
- Mating Force: 35N MAX
 - Umating Force: 10N MIN.
3. DIMENSIONS MARKED *▼* TD BE CHECKED BY Q.C & IPQC

RoHS compliant

Superior Tech Co., Ltd.

REV.	UNIT	SCALE	ANGLE
A	mm	1:1	± 5°

General Tolerance	TITLE	DATE	PART NO.
X. ± 0.5	USB A 母 3.0 版直立式180度彎角 H15.0 量產:1u” 藍色 PBT	05-11-17'	T006
.X ± 0.3	DRAWN Andy	DATE	PART NO.
.XX ± 0.2	CHECK	DATE	USBA-FSXXLDB-A13
.XXX ± 0.1	APPROVED	DATE	CUSTOMER NO.