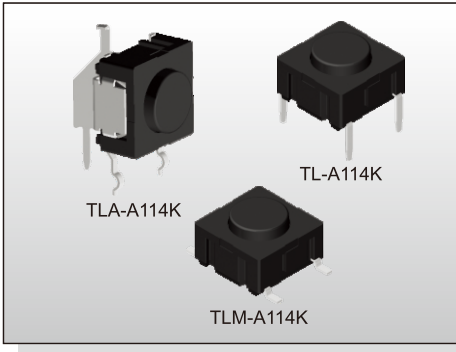


TACT SWITCH TL(A)-A1 SERIES

10x10
High Reliability



FEATURES

- ✘ Sealed
- ✘ Long life of 10million
- ✘ Variety of actuator lengths

APPLICATION

- ✘ Music instrument
- ✘ Intercom system
- ✘ Industrial

SPECIFICATION

Contact Rating	0.5~50mA, 24V DC
Contact Resistance	30mΩ max.
Insulation Resistance	10MΩ min. 100V DC
Dielectric Strength	250V AC/1 minute
Operating Force	300±75gf
Travel	1mm
Operating Life	10,000, 000 cycles
Operating Temp.	-40°C ~ +160°C
Storage Temp.	-40°C ~ +160°C

HOW TO ORDER

TL - A 1 1 4 K - Q -

Solder Type:
=Through Hole
 M=S.M.T.
 A=Right Angle

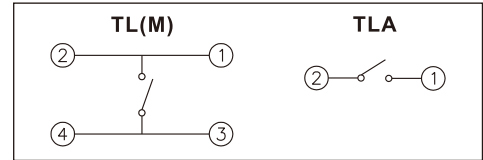
Package:
 B=Tube
 (For Through Hole Type)
 T/R=Tape & Reel(For S.M.T. Type)

Halogen Free

Button Color:
 Black

Operating Force:
 300gf

CIRCUIT

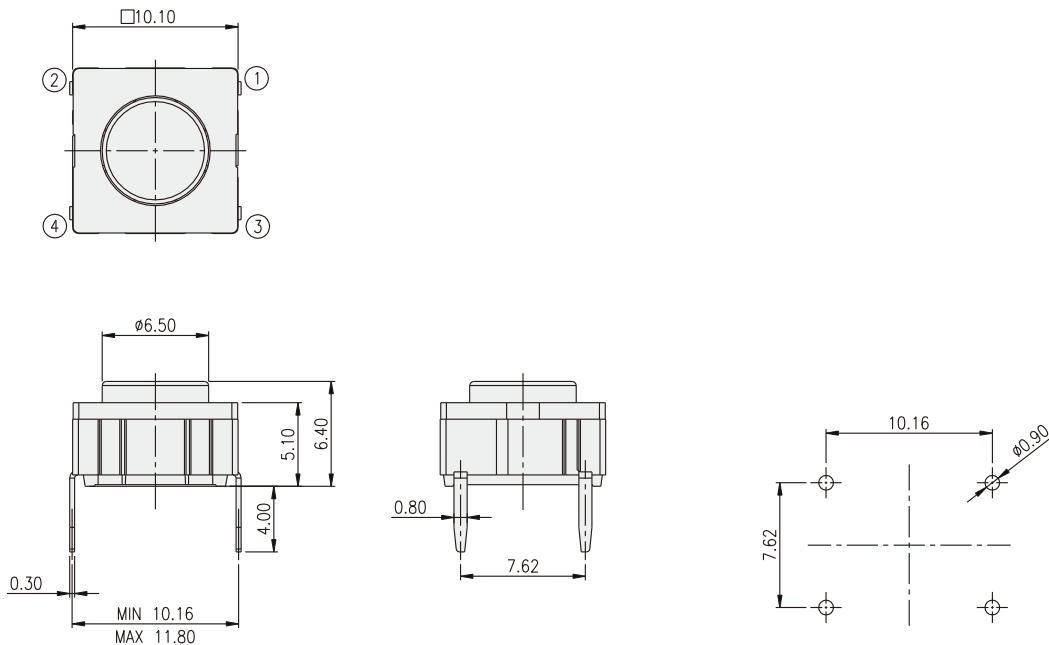


PACKAGE

<Tube>
 TL(A): 45 pcs
 <Tape & Reel>
 TLM: 650 pcs

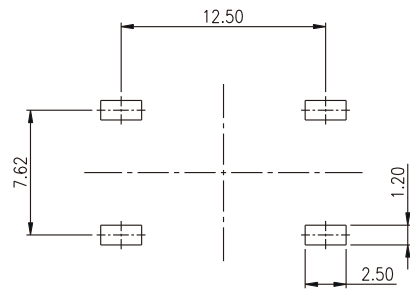
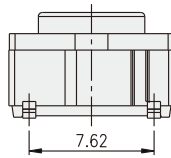
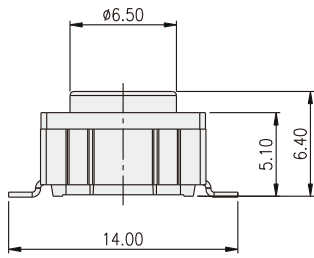
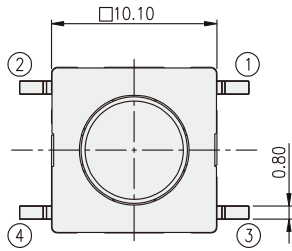
TACT SWITCH

TL-A114K



P.C.B. LAYOUT

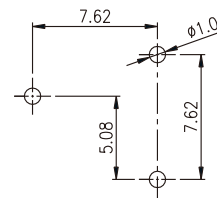
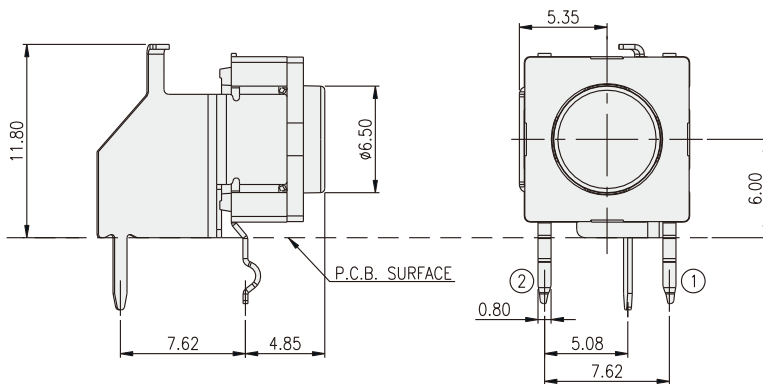
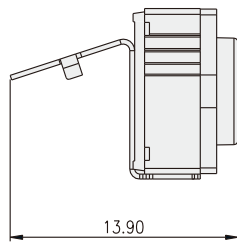
TLM-A114K



P.C.B. LAYOUT

TACT SWITCH

TLA-A114K



P.C.B. LAYOUT