

TH-1.6 Series / Threaded Spacer

This Spacer is mounted on PCB by inserting into through-hole.
Screws can be inserted both from component and from solder side
Taping type has adsorption seal for vacuum pick. It needs to be removed after reflow.

Material.....Brass

Finish.....Plated Sn over Ni base

Current capacity

TH-1.6- -M2..... 20A

TH-1.6- -M2.6..... 20A

TH-1.6- -M3..... 30A

Tightening Torque

TH-1.6- -M2..... 1.5kgf-cm(14.7N-cm)and below

TH-1.6- -M2.6..... 3kgf-cm(29.4N-cm) and below

TH-1.6- -M3..... 5kgf-cm(49N-cm)and below(X-direction)
3kgf-cm(29.4N-cm) and below(Y-direction)

Adaptive PCB Thickness..... 1.6t and over

(other PCB thickness applicable)

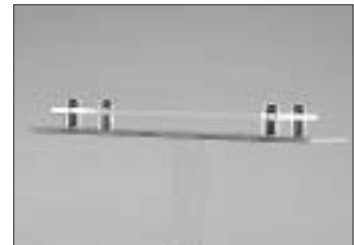
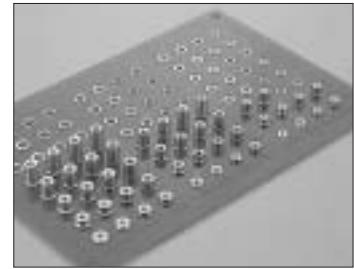
Mounter should have automatic recognition system

Product N/O

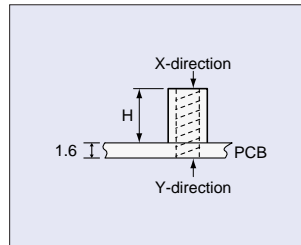
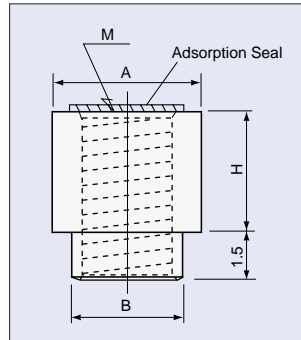
N/O	A	B	H	M	Package
TH-1.6-0.5-M2	4.0	2.5	0.5	M2	450
TH-1.6-1.0-M2	4.0	2.5	1.0	M2	450
TH-1.6-1.5-M2	4.0	2.5	1.5	M2	450
TH-1.6-2.0-M2	4.0	2.5	2.0	M2	450
TH-1.6-2.5-M2	4.0	2.5	2.5	M2	350
TH-1.6-3.0-M2	4.0	2.5	3.0	M2	350
TH-1.6-3.5-M2	4.0	2.5	3.5	M2	350
TH-1.6-4.0-M2	4.0	2.5	4.0	M2	250
TH-1.6-4.5-M2	4.0	2.5	4.5	M2	250
TH-1.6-5.0-M2	4.0	2.5	5.0	M2	250
TH-1.6-0.5-M2.6	4.5	3.1	0.5	M2.6	450
TH-1.6-1.0-M2.6	4.5	3.1	1.0	M2.6	450
TH-1.6-1.5-M2.6	4.5	3.1	1.5	M2.6	450
TH-1.6-2.0-M2.6	4.5	3.1	2.0	M2.6	450
TH-1.6-2.5-M2.6	4.5	3.1	2.5	M2.6	350
TH-1.6-3.0-M2.6	4.5	3.1	3.0	M2.6	350
TH-1.6-3.5-M2.6	4.5	3.1	3.5	M2.6	350
TH-1.6-4.0-M2.6	4.5	3.1	4.0	M2.6	250
TH-1.6-4.5-M2.6	4.5	3.1	4.5	M2.6	250
TH-1.6-5.0-M2.6	4.5	3.1	5.0	M2.6	250
TH-1.6-5.5-M2.6	4.5	3.1	5.5	M2.6	350
TH-1.6-6.0-M2.6	4.5	3.1	6.0	M2.6	350
TH-1.6-6.5-M2.6	4.5	3.1	6.5	M2.6	300
TH-1.6-7.0-M2.6	4.5	3.1	7.0	M2.6	300
TH-1.6-7.5-M2.6	4.5	3.1	7.5	M2.6	300
TH-1.6-8.0-M2.6	4.5	3.1	8.0	M2.6	300
TH-1.6-0.5-M3	5.0	3.5	0.5	M3	450
TH-1.6-1.0-M3	5.0	3.5	1.0	M3	450
TH-1.6-1.5-M3	5.0	3.5	1.5	M3	450
TH-1.6-2.0-M3	5.0	3.5	2.0	M3	450
TH-1.6-2.5-M3	5.0	3.5	2.5	M3	350
TH-1.6-3.0-M3	5.0	3.5	3.0	M3	350
TH-1.6-3.5-M3	5.0	3.5	3.5	M3	350
TH-1.6-4.0-M3	5.0	3.5	4.0	M3	250
TH-1.6-4.5-M3	5.0	3.5	4.5	M3	250
TH-1.6-5.0-M3	5.0	3.5	5.0	M3	250
TH-1.6-5.5-M3	5.0	3.5	5.5	M3	350
TH-1.6-6.0-M3	5.0	3.5	6.0	M3	350
TH-1.6-6.5-M3	5.0	3.5	6.5	M3	300
TH-1.6-7.0-M3	5.0	3.5	7.0	M3	300
TH-1.6-7.5-M3	5.0	3.5	7.5	M3	300
TH-1.6-8.0-M3	5.0	3.5	8.0	M3	300
TH-1.6-8.5-M3	5.0	3.5	8.5	M3	250
TH-1.6-9.0-M3	5.0	3.5	9.0	M3	250
TH-1.6-9.5-M3	5.0	3.5	9.5	M3	250
TH-1.6-10-M3	5.0	3.5	10	M3	250

For Throgh Hole PCB only

PAT.P



Dimensions



M2 P = 0.4

M2.6 P = 0.45

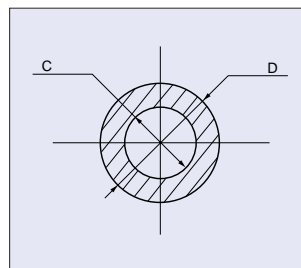
M3 P = 0.5

You can order bulk type(no adsorption seal)

TH-1.6-0.5-M2-B

└ add -B for bulk type(100/package)

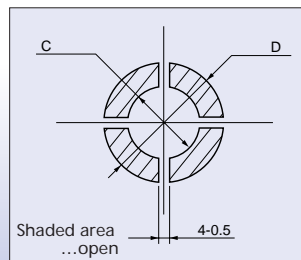
Recommended Land Diameter



N/O	+0.1 -0	
	C	D
TH-1.6- -M2	2.7	5.0
TH-1.6- -M2.6	3.3	5.5
TH-1.6- -M3	3.7	6.0

Recommended Metal mask

(Recommended Metal Mask Thickness: 150 ~ 200 μm)



N/O	+0.1 -0	
	C	D
TH-1.6- -M2	2.7	5.0
TH-1.6- -M2.6	3.3	5.5
TH-1.6- -M3	3.7	6.0

MAC8

No.1 distributor of MAC8

SHINDENKIZAI Co., LTD.

Contact

e-mail: sdk@mac8sdk.co.jp FAX: +81-3-3253-5965

http://www.mac8sdk.co.jp/index_e.html