

# TH-0.8 Series / Threaded Spacer

This Spacer is mounted on PCB by inserting into through-hole.  
Screws can be inserted both from component and from solder side  
Taping type has adsorption seal for vacuum pick. It needs to be removed after reflow.

Material.....Brass

Finish.....Plated Sn over Ni base

Current Capacity

TH-0.8- -M2..... 20A

TH-0.8- -M2.6..... 20A

TH-0.8- -M3..... 30A

TH-0.8- -M4..... 40A

Tightening Torque

TH-0.8- -M2..... 1.5kgf-cm( 14.7N-cm )and below

TH-0.8- -M2.6..... 3kgf-cm( 29.4N-cm )and below

TH-0.8- -M3..... 5kgf-cm( 49N-cm )and below(X-direction )  
3kgf-cm( 29.4N-cm )and below(Y-direction )

TH-0.8- -M4..... 8kgf-cm( 78.4N-cm )and below

Adaptive PCB Thickness.....0.8t and over

( other PCB thickness applicable )

Mounter should have automatic recognition system

Product N/O

N/O	A	B	H	M	Package
TH-0.8-1.0-M2	4.0	2.5	1.0	M2	450
TH-0.8-1.5-M2	4.0	2.5	1.5	M2	450
TH-0.8-2.0-M2	4.0	2.5	2.0	M2	450
TH-0.8-2.5-M2	4.0	2.5	2.5	M2	350
TH-0.8-3.0-M2	4.0	2.5	3.0	M2	350
TH-0.8-3.5-M2	4.0	2.5	3.5	M2	350
TH-0.8-4.0-M2	4.0	2.5	4.0	M2	250
TH-0.8-4.5-M2	4.0	2.5	4.5	M2	250
TH-0.8-5.0-M2	4.0	2.5	5.0	M2	250
TH-0.8-1.0-M2.6	4.5	3.1	1.0	M2.6	450
TH-0.8-1.5-M2.6	4.5	3.1	1.5	M2.6	450
TH-0.8-2.0-M2.6	4.5	3.1	2.0	M2.6	450
TH-0.8-2.5-M2.6	4.5	3.1	2.5	M2.6	350
TH-0.8-3.0-M2.6	4.5	3.1	3.0	M2.6	350
TH-0.8-3.5-M2.6	4.5	3.1	3.5	M2.6	350
TH-0.8-4.0-M2.6	4.5	3.1	4.0	M2.6	250
TH-0.8-4.5-M2.6	4.5	3.1	4.5	M2.6	250
TH-0.8-5.0-M2.6	4.5	3.1	5.0	M2.6	250
TH-0.8-5.5-M2.6	4.5	3.1	5.5	M2.6	350
TH-0.8-6.0-M2.6	4.5	3.1	6.0	M2.6	350
TH-0.8-6.5-M2.6	4.5	3.1	6.5	M2.6	300
TH-0.8-7.0-M2.6	4.5	3.1	7.0	M2.6	300
TH-0.8-7.5-M2.6	4.5	3.1	7.5	M2.6	300
TH-0.8-8.0-M2.6	4.5	3.1	8.0	M2.6	300
TH-0.8-1.2-M3	5.0	3.5	1.2	M3	450
TH-0.8-1.5-M3	5.0	3.5	1.5	M3	450
TH-0.8-2.0-M3	5.0	3.5	2.0	M3	450
TH-0.8-2.5-M3	5.0	3.5	2.5	M3	350
TH-0.8-3.0-M3	5.0	3.5	3.0	M3	350
TH-0.8-3.5-M3	5.0	3.5	3.5	M3	350
TH-0.8-4.0-M3	5.0	3.5	4.0	M3	250
TH-0.8-4.5-M3	5.0	3.5	4.5	M3	250
TH-0.8-5.0-M3	5.0	3.5	5.0	M3	250
TH-0.8-5.5-M3	5.0	3.5	5.5	M3	350
TH-0.8-6.0-M3	5.0	3.5	6.0	M3	350
TH-0.8-6.5-M3	5.0	3.5	6.5	M3	300
TH-0.8-7.0-M3	5.0	3.5	7.0	M3	300
TH-0.8-7.5-M3	5.0	3.5	7.5	M3	300
TH-0.8-8.0-M3	5.0	3.5	8.0	M3	300
TH-0.8-8.5-M3	5.0	3.5	8.5	M3	250
TH-0.8-9.0-M3	5.0	3.5	9.0	M3	250
TH-0.8-9.5-M3	5.0	3.5	9.5	M3	250
TH-0.8-10- M3	5.0	3.5	10	M3	250

N/O	A	B	H	M	Package
TH-0.8-2.0-M4	7.0	5.5	2.0	M4	350
TH-0.8-2.5-M4	7.0	5.5	2.5	M4	250
TH-0.8-3.0-M4	7.0	5.5	3.0	M4	250
TH-0.8-3.5-M4	7.0	5.5	3.5	M4	200
TH-0.8-4.0-M4	7.0	5.5	4.0	M4	200
TH-0.8-4.5-M4	7.0	5.5	4.5	M4	450
TH-0.8-5.0-M4	7.0	5.5	5.0	M4	450
TH-0.8-5.5-M4	7.0	5.5	5.5	M4	300
TH-0.8-6.0-M4	7.0	5.5	6.0	M4	300
TH-0.8-6.5-M4	7.0	5.5	6.5	M4	250
TH-0.8-7.0-M4	7.0	5.5	7.0	M4	250
TH-0.8-7.5-M4	7.0	5.5	7.5	M4	200
TH-0.8-8.0-M4	7.0	5.5	8.0	M4	200
TH-0.8-8.5-M4	7.0	5.5	8.5	M4	200
TH-0.8-9.0-M4	7.0	5.5	9.0	M4	200
TH-0.8-9.5-M4	7.0	5.5	9.5	M4	200
TH-0.8-10- M4	7.0	5.5	10	M4	200

M2 P = 0.4

M2.6 P = 0.45

M3 P = 0.5

M4 P = 0.7

You can order bulk type( no adsorption seal )

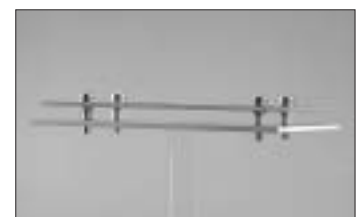
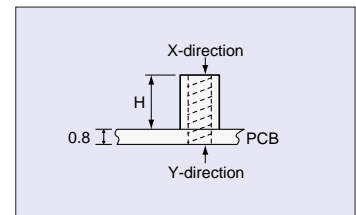
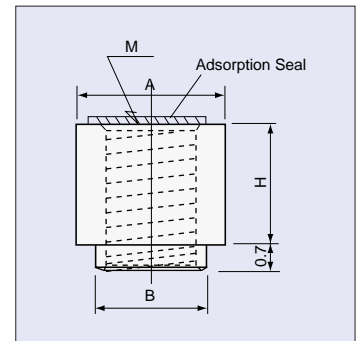
TH-0.8-0.5-M2-B

└ add -B for bulk type( 100/package )

PAT.P



Dimensions



For Through Hole PCB only

**MAC8**

No.1 distributor of MAC8

**SHINDENKIZAI Co., LTD.**

Contact

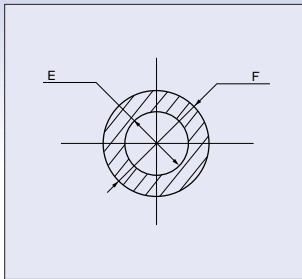
e-mail: sdk@mac8sdk.co.jp FAX: +81-3-3253-5965

[http://www.mac8sdk.co.jp/index\\_e.html](http://www.mac8sdk.co.jp/index_e.html)

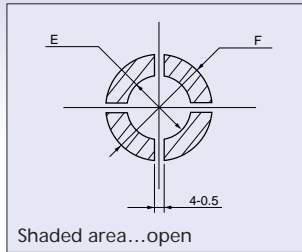
# TH-0.8 Series / Threaded Spacer



Recommended Land Diameter

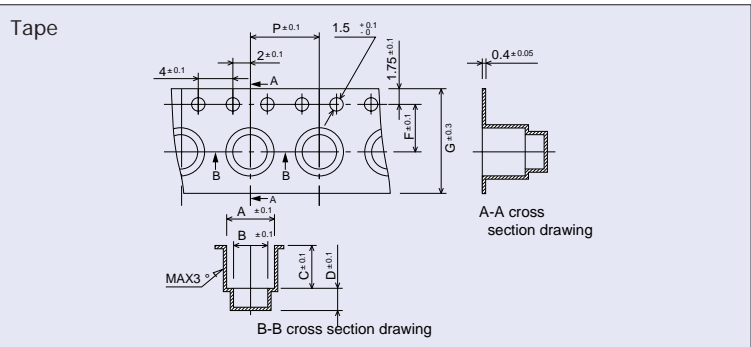
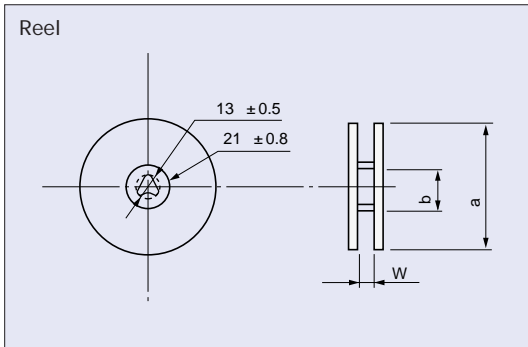


Recommended Metal mask  
(Recommended Metal Mask Thickness: 150 ~ 200 μ )



N/O	E	F
TH-0.8- -M2	2.7	5.0
TH-0.8- -M2.6	3.3	5.5
TH-0.8- -M3	3.7	6.0
TH-0.8- -M4	5.7	8.0

Dimensions



Product N/O

N/O	Reel			Tape							
	α	b	W	A	B	C	D	F	G	P	
TH-0.8-1.0-M2	178	60	13	4.3	2.8	1.3	1.7	5.5	12	8	
TH-0.8-1.5-M2	178	60	13	4.3	2.8	2.3	1.7	5.5	12	8	
TH-0.8-2.0-M2	178	60	13	4.3	2.8	2.3	1.7	5.5	12	8	
TH-0.8-2.5-M2	178	60	13	4.3	2.8	3.8	1.7	5.5	12	8	
TH-0.8-3.0-M2	178	60	13	4.3	2.8	3.8	1.7	5.5	12	8	
TH-0.8-3.5-M2	178	60	13	4.3	2.8	3.8	1.7	5.5	12	8	
TH-0.8-4.0-M2	178	60	13	4.3	2.8	5.3	1.7	5.5	12	8	
TH-0.8-4.5-M2	178	60	13	4.3	2.8	5.3	1.7	5.5	12	8	
TH-0.8-5.0-M2	178	60	13	4.3	2.8	5.3	1.7	5.5	12	8	
TH-0.8-1.0-M2.6	178	60	13	4.8	3.4	1.3	1.7	5.5	12	8	
TH-0.8-1.5-M2.6	178	60	13	4.8	3.4	2.3	1.7	5.5	12	8	
TH-0.8-2.0-M2.6	178	60	13	4.8	3.4	2.3	1.7	5.5	12	8	
TH-0.8-2.5-M2.6	178	60	13	4.8	3.4	3.8	1.7	5.5	12	8	
TH-0.8-3.0-M2.6	178	60	13	4.8	3.4	3.8	1.7	5.5	12	8	
TH-0.8-3.5-M2.6	178	60	13	4.8	3.4	3.8	1.7	5.5	12	8	
TH-0.8-4.0-M2.6	178	60	13	4.8	3.4	5.0	1.7	5.5	12	8	
TH-0.8-4.5-M2.6	178	60	13	4.8	3.4	5.0	1.7	5.5	12	8	
TH-0.8-5.0-M2.6	178	60	13	4.8	3.4	5.0	1.7	5.5	12	8	
TH-0.8-5.5-M2.6	254	80	17.5	4.8	0	6.8	0	7.5	16	12	
TH-0.8-6.0-M2.6	254	80	17.5	4.8	0	6.8	0	7.5	16	12	
TH-0.8-6.5-M2.6	254	80	17.5	4.8	0	7.8	0	7.5	16	12	
TH-0.8-7.0-M2.6	254	80	17.5	4.8	0	7.8	0	7.5	16	12	
TH-0.8-7.5-M2.6	254	80	17.5	4.8	0	8.8	0	7.5	16	12	
TH-0.8-8.0-M2.6	254	80	17.5	4.8	0	8.8	0	7.5	16	12	
TH-0.8-1.2-M3	178	60	13	5.3	3.8	1.5	1.7	5.5	12	8	
TH-0.8-1.5-M3	178	60	13	5.3	3.8	2.3	1.7	5.5	12	8	
TH-0.8-2.0-M3	178	60	13	5.3	3.8	2.3	1.7	5.5	12	8	
TH-0.8-2.5-M3	178	60	13	5.3	3.8	3.8	1.7	5.5	12	8	
TH-0.8-3.0-M3	178	60	13	5.3	3.8	3.8	1.7	5.5	12	8	
TH-0.8-3.5-M3	178	60	13	5.3	3.8	3.8	1.7	5.5	12	8	

N/O	Reel			Tape							
	α	b	W	A	B	C	D	F	G	P	
TH-0.8-4.0-M3	178	60	13	5.3	3.8	5.3	1.7	5.5	12	8	
TH-0.8-4.5-M3	178	60	13	5.3	3.8	5.3	1.7	5.5	12	8	
TH-0.8-5.0-M3	178	60	13	5.3	3.8	5.3	1.7	5.5	12	8	
TH-0.8-5.5-M3	254	80	17.5	5.3	0	6.8	0	7.5	16	12	
TH-0.8-6.0-M3	254	80	17.5	5.3	0	6.8	0	7.5	16	12	
TH-0.8-6.5-M3	254	80	17.5	5.3	0	7.8	0	7.5	16	12	
TH-0.8-7.0-M3	254	80	17.5	5.3	0	7.8	0	7.5	16	12	
TH-0.8-7.5-M3	254	80	17.5	5.3	0	8.8	0	7.5	16	12	
TH-0.8-8.0-M3	254	80	17.5	5.3	0	8.8	0	7.5	16	12	
TH-0.8-8.5-M3	254	80	17.5	5.3	0	9.8	0	7.5	16	12	
TH-0.8-9.0-M3	254	80	17.5	5.3	0	9.8	0	7.5	16	12	
TH-0.8-9.5-M3	254	80	17.5	5.3	0	10.8	0	7.5	16	12	
TH-0.8-10-M3	254	80	17.5	5.3	0	10.8	0	7.5	16	12	
TH-0.8-2.0-M4	178	80	17.5	7.3	0	3.0	0	7.5	16	12	
TH-0.8-2.5-M4	178	80	17.5	7.3	0	4.0	0	7.5	16	12	
TH-0.8-3.0-M4	178	80	17.5	7.3	0	4.0	0	7.5	16	12	
TH-0.8-3.5-M4	178	80	17.5	7.3	0	5.0	0	7.5	16	12	
TH-0.8-4.0-M4	178	80	17.5	7.3	0	5.0	0	7.5	16	12	
TH-0.8-4.5-M4	254	80	17.5	7.3	0	6.0	0	7.5	16	12	
TH-0.8-5.0-M4	254	80	17.5	7.3	0	6.0	0	7.5	16	12	
TH-0.8-5.5-M4	254	80	25.5	7.3	0	7.0	0	11.5	24	16	
TH-0.8-6.0-M4	254	80	25.5	7.3	0	7.0	0	11.5	24	16	
TH-0.8-6.5-M4	254	80	25.5	7.3	0	8.0	0	11.5	24	16	
TH-0.8-7.0-M4	254	80	25.5	7.3	0	8.0	0	11.5	24	16	
TH-0.8-7.5-M4	254	80	25.5	7.3	0	9.0	0	11.5	24	16	
TH-0.8-8.0-M4	254	80	25.5	7.3	0	9.0	0	11.5	24	16	
TH-0.8-8.5-M4	254	80	25.5	7.3	0	10	0	11.5	24	16	
TH-0.8-9.0-M4	254	80	25.5	7.3	0	10	0	11.5	24	16	
TH-0.8-9.5-M4	254	80	25.5	7.3	0	11	0	11.5	24	16	
TH-0.8-10-M4	254	80	25.5	7.3	0	11	0	11.5	24	16	



No.1 distributor of MAC8

SHINDENKIZAI Co., LTD.

Contact  
e-mail: sdk@mac8sdk.co.jp FAX: +81-3-3253-5965

[http://www.mac8sdk.co.jp/index\\_e.html](http://www.mac8sdk.co.jp/index_e.html)