

FEATURES

- ※Side actuation
- ※Gold contact for high reliability
- ※Red, blue, and black color options.

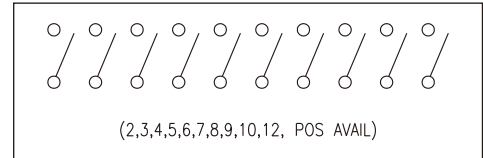
APPLICATION

- ※Industrial control
- ※Computers and peripherals
- ※Variety of function controls

SPECIFICATION

Contact Rating	25mA, 24V DC
Contact Resistance	50mΩ max.
Insulation Resistance	100MΩ min. 500V DC
Dielectric Strength	500V AC/1 minute
Operating Force	400gf max.
Travel	25°
Operating Life	2,000 cycles
Operating Temp.	-20°C ~ +70°C
Storage Temp.	-40°C ~ +85°C

CIRCUIT



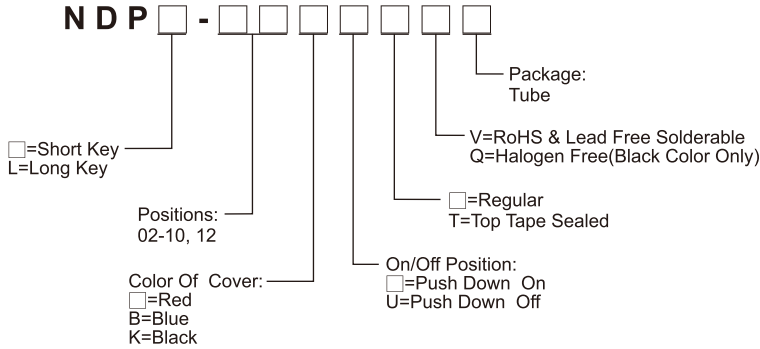
PACKAGE

<Tube>

NDP(L)-02: 70 pcs	NDP(L)-02T: 65 pcs
NDP(L)-03: 50 pcs	NDP(L)-03T: 49 pcs
NDP(L)-04: 39 pcs	NDP(L)-04T: 39 pcs
NDP(L)-05: 32 pcs	NDP(L)-05T: 32 pcs
NDP(L)-06: 27 pcs	NDP(L)-06T: 27 pcs
NDP(L)-07: 24 pcs	NDP(L)-07T: 24 pcs
NDP(L)-08: 21 pcs	NDP(L)-08T: 21 pcs
NDP(L)-09: 19 pcs	NDP(L)-09T: 19 pcs
NDP(L)-10: 17 pcs	NDP(L)-10T: 17 pcs
NDP(L)-12: 14 pcs	NDP(L)-12T: 14 pcs

DIP SWITCH

HOW TO ORDER



NDP(L)

