

AF Series / Pin Inserts

With AF Series, you can change through holes into pin inserts.

Mounter should have automatic recognition system

(You need reflow to fix it in through hole)

Various parts can be mounted (diameter: 0.40 ~ 1.0)

Material... Be-Cu (adsorption pin... Aluminium)

Finish... Plated Au over Ni base

Contact Resistance..... not over 10m

Current Capacity

AF-0.5 ()... 2A

AF-0.7 ()... 4A

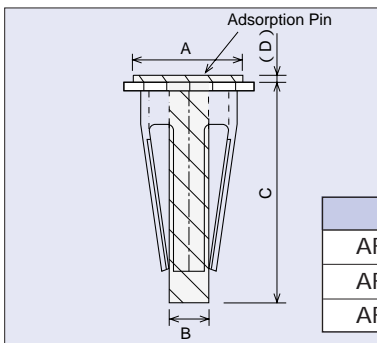
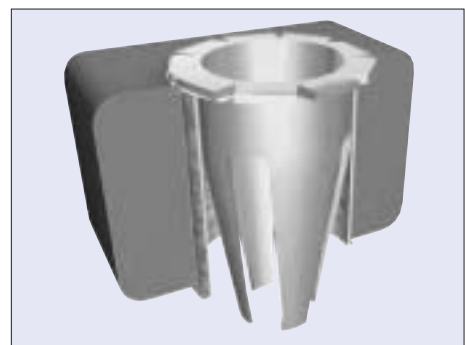
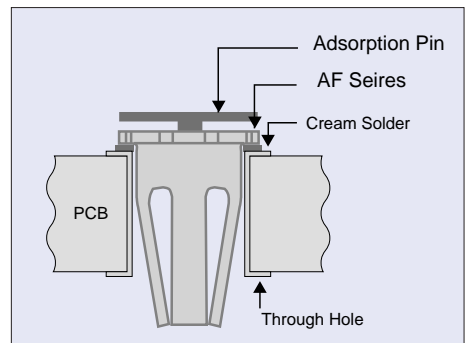
AF-0.9 ()... 6A

Capacity of Insertion and Removal/..... not over 100 times

Recommended Metal Mask Thickness... 100 ~ 150μ

AF series can be mounted on any thickness of PCB

Operating Temperature... - 40 ~ + 125



N/O	A	B	C	(D)
AF-0.5 ()	1.3	0.45	2.9	0.18
AF-0.7 ()	1.6	0.6	3.4	0.15
AF-0.9 ()	2.0	0.8	4.0	0.25

Adsorption Pin

Product N/O

N/O	Recommended Male pin	Insertion Power F (g) avg	Removal Power F (g) avg	Package
AF-0.5(L)	0.45 ~ 0.6	50	30	1000pcs/reel
AF-0.5(H)	0.40 ~ 0.6	250	130	1000pcs/reel
AF-0.7(L)	0.6 ~ 0.8	90	50	1000pcs/reel
AF-0.7(H)	0.6 ~ 0.8	700	530	1000pcs/reel
AF-0.9(L)	0.8 ~ 1.0	100	70	450pcs/reel
AF-0.9(H)	0.8 ~ 1.0	280	200	450pcs/reel

(L)...force to insert is less than that of (H)

(H)...force to insert is more than that of (L)

The forces in the list are to insert (or remove) into the center of holes

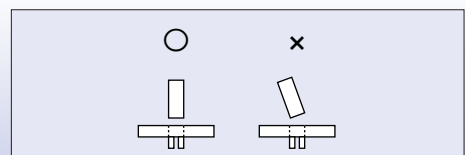
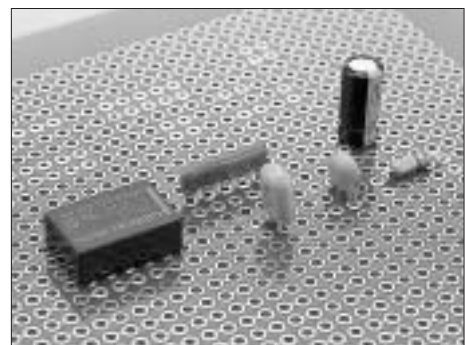
You can order bulk type (no adsorption pin)

AF-0.5(L)-B

└ add -B for bulk type (100/package)

Notice

Please insert male pin vertically



No. 1 distributor of MAC8







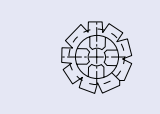
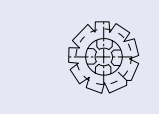
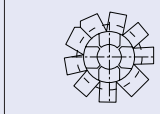
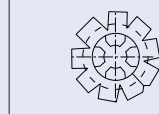
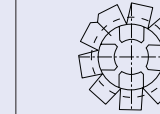
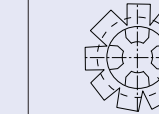
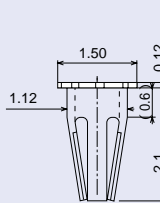
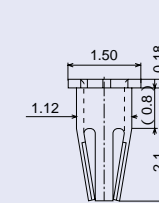
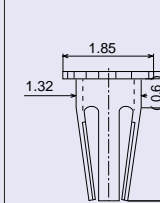
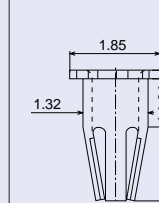
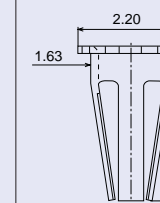
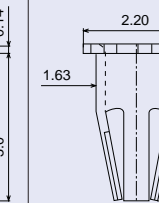
SHINDENKIZAI Co., LTD.

Contact
e-mail: sdk@mac8sdk.co.jp FAX: +81-3-3253-5965

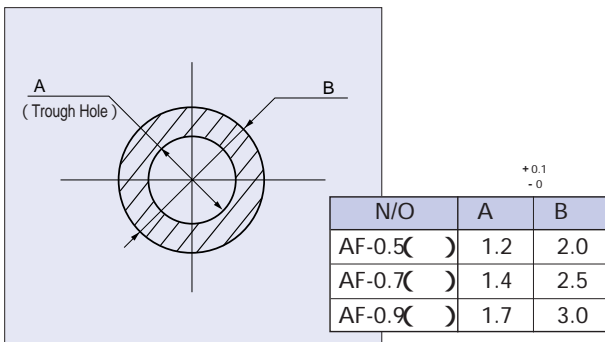
http://www.mac8sdk.co.jp/index_e.html

AF Series / Pin Inserts

Dimension

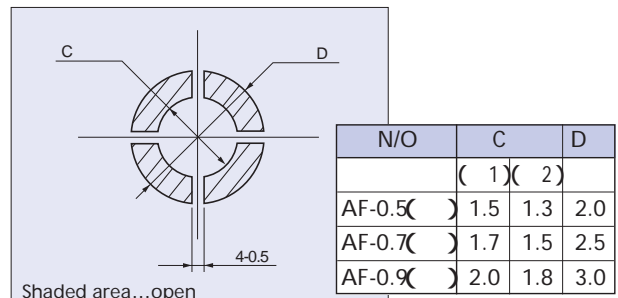
AF-0.5(L)	AF-0.5(H)	AF-0.7(L)	AF-0.7(H)	AF-0.9(L)	AF-0.9(H)
					
					
					

Recommended Land Diameter



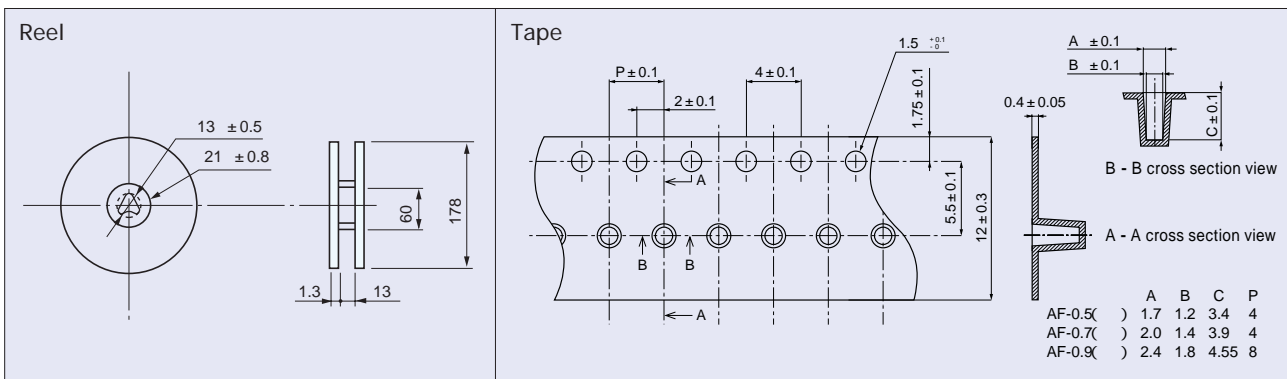
Recommended MetalMask

(Recommended Metal Mask Thickness - 100 ~ 150 μ)



(1)...Solder plated TH
(2)...Copper plated TH/Gold plated TH

Dimensions



Process

1. Print Cream Solder on PCB(Recommended Metal Mask Thickness...100 ~ 150 μ)
2. Mount AF Series(Please use automatic recognition type mounter)
3. Reflow
4. Remove adsorption pin by pushing from the bottom

MAC8

No.1 distributor of MAC8

SHINDENKIZAI Co., LTD.

Contact

e-mail: sdk@mac8sdk.co.jp FAX: +81-3-3253-5965

http://www.mac8sdk.co.jp/index_e.html