

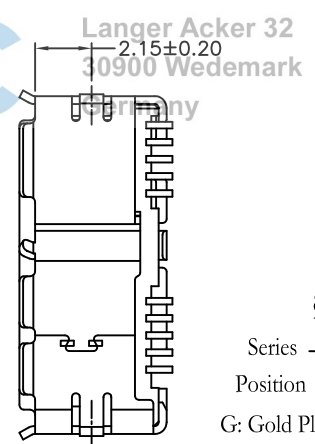
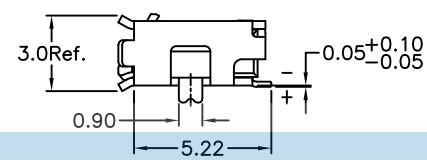
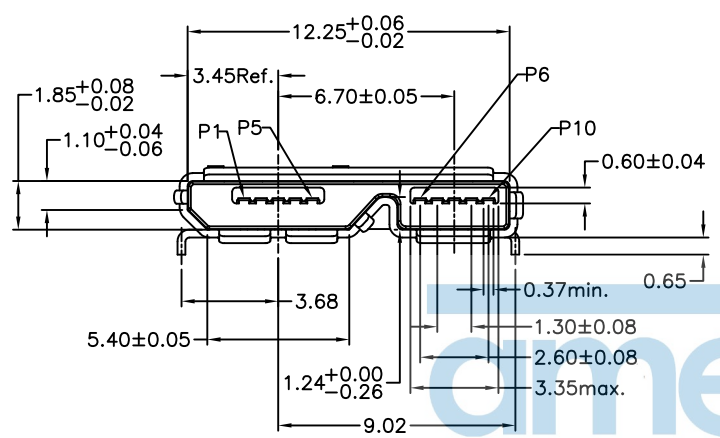
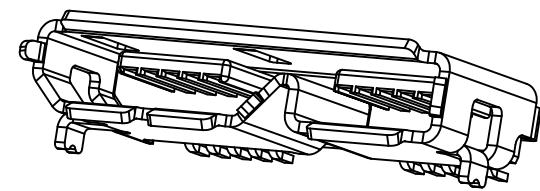
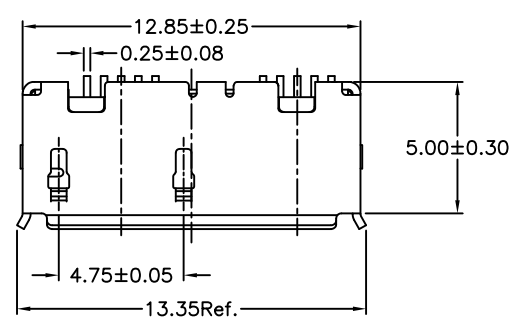
REV.	SPECIFICATION	ECN NO.	APPD.

**Material:**  
Housing: High Temperature Plastic UL94V-0.  
Contacts: Copper Alloy.  
Shell: Metal.

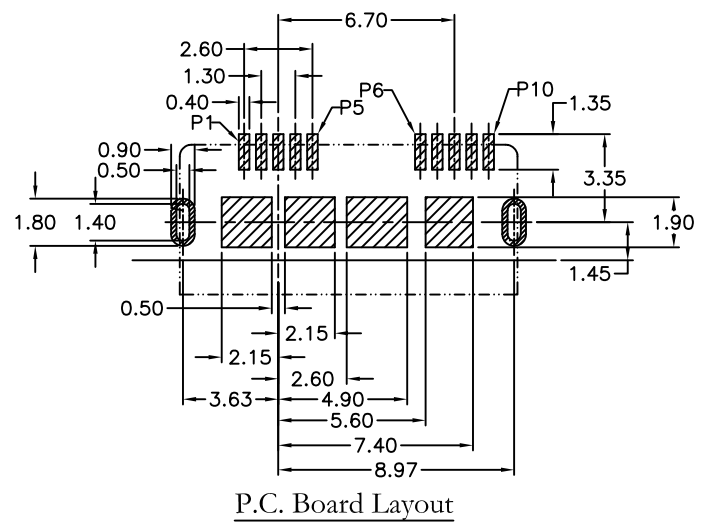
**Electrical Characteristics:**  
Current Rating: 1.8 A (Only Pin1,5); 0.25A For Other Pin.  
Dielectric Withstanding Voltage: AC 1000V for 1 minute.  
Insulator Resistance: 100MΩ min.  
Contact Resistance: 30mΩ max.  
Operating Temperature: -55°C~+85°C.

**Mechanical Characteristics:**  
Insertion Force: 35N Max.  
Extraction Force: 8N Min.  
Durability: 10,000 Cycles.

**\*RoHS Compliant**



Langer Acker 32  
30900 Wedemark  
Germany  
(+49) 5130 / 58642-0  
info@amec-gmbh.de  
www.amec-gmbh.de



8973-B 10 G 30 D2 T  
Series ———  
Position ———  
G: Gold Plated ———  
T: Tape & Reel Package  
D2: SMD Post Dip  
30: 30 u"

Pin Number	Signal Name
1	VBUS
2	D-
3	D+
4	ID
5	GND
6	MicB_SSTX-
7	MicB_SSTX+
8	GND_DRAIN
9	MicB_SSRX-
10	MicB_SSRX+

Tolerances	Dwg. No.	8973D02002	Title:
x = ±0.50	Projection		8973 Series
.x = ±0.38	Unit	mm	Scale
.xx = ±0.25	Scale	1:1	Micro USB 3.0 B Type
	Drawn By	Vic Lyu01/14'16	705

8973 Series  
Micro USB 3.0 B Type

OUPIIN ELECTRONIC(KUNSHAN) CO., LTD.			
P/N: 8973-B10G30D2T			
SHEET	1/1	Ver.No.	A2