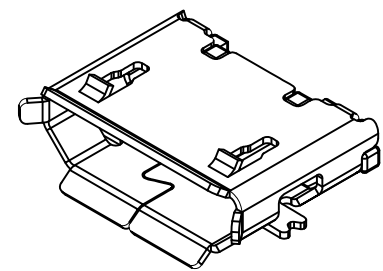
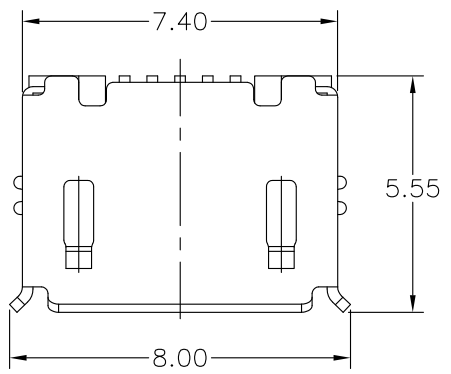


REV.	SPECIFICATION	ECN NO.	APPD.

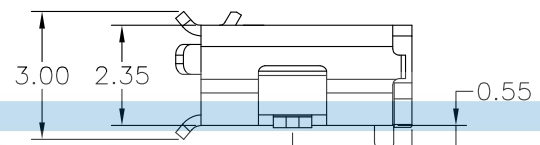
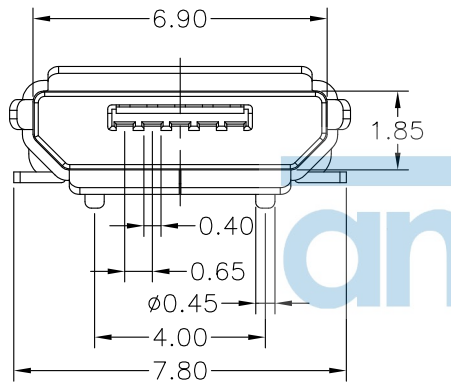


**Material:**  
**Housing:** High Temperature Plastic UL94V-0.  
**Contacts:** Copper Alloy.  
**Shell:** Copper Alloy.

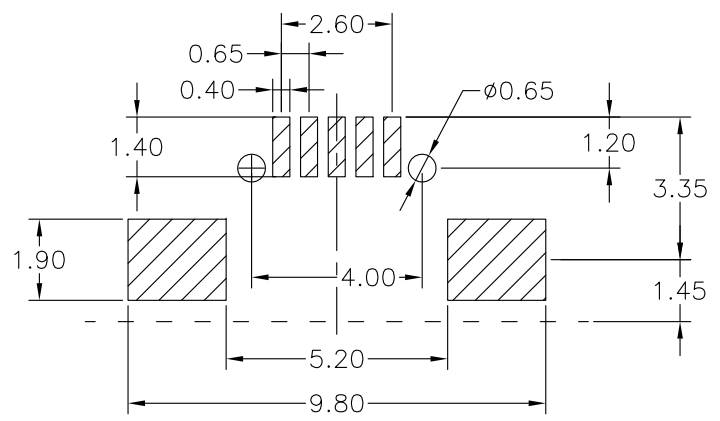
**Electrical Characteristics:**  
**Voltage Rating:** AC 30V.  
**Current Rating:** 1.0 AMP.  
**Dielectric Withstanding Voltage:** AC 300V for 1 minute.  
**Insulator Resistance:** 100MΩ min. at DC 500V.  
**Contact Resistance:** 50mΩ max. at DC 100mA.  
**Operating Temperature:** -55°C~+85°C.

**Mechanical Characteristics:**  
**Mating Force:** 30N max.  
**Unmating Force:** 7N min.  
**Durability:** 5000 Cycles.

**\*RoHS Compliant**



Langer Acker 32  
 30900 Wetzlar  
 Germany  
 (+49) 5130 / 58642-0  
 info@amec-gmbh.de  
 www.amec-gmbh.de



P.C.Board Layout

8971- B 05 G xx D x T  
 Series Style Position G:Gold Plated 00: G/F 30: 30μ" D: SMD Type P: With Post N: Without Post T: Tape&Reel Package U: Tube Package

Tolerances	Dwg. No.	8971D02002	
x = ±0.5	Projection	⊕ ⊖	
.x = ±0.30	Unit	mm	Scale 1:1
.xx = ±0.25	Drawn By	Vic Lyu11/17'15	

Title: 8971 Series  
 Micro USB B Type SMD  
 Female

<b>OUPIN</b>			
OUPIN ELECTRONIC(KUNSHAN) CO., LTD.			
P/N: 8971-B05GxxDxT			
SHEET	1/1	Ver.No.	A9