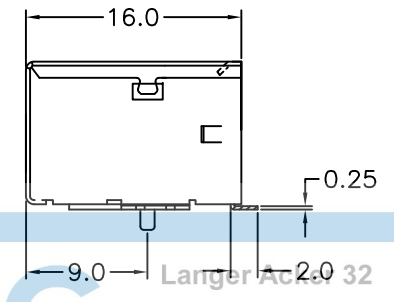
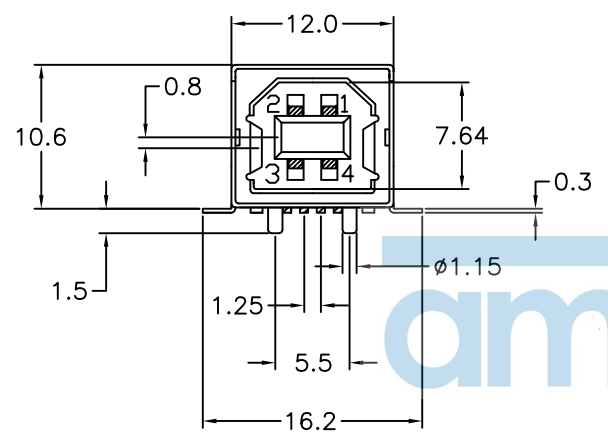
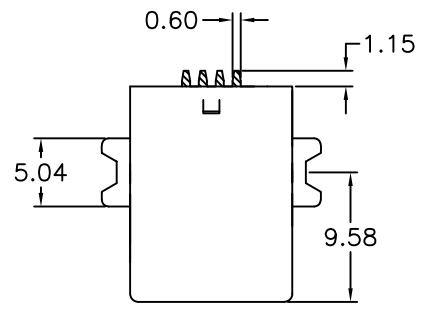


REV.	SPECIFICATION	ECN NO.	APPD.

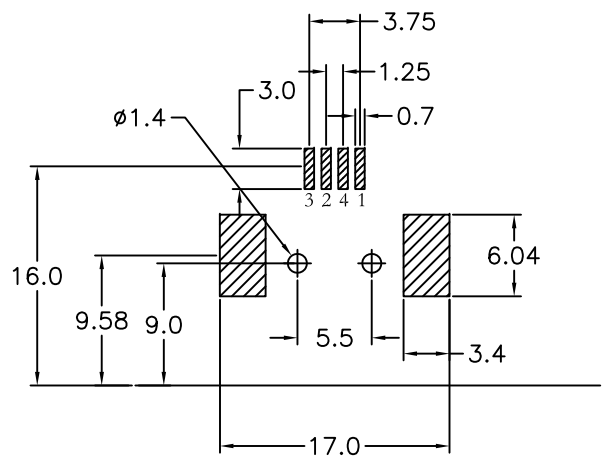


Material:
Housing: High Temperature Plastic UL94V-0.
Contacts: Copper Alloy.
Shell: Copper Alloy.
Electrical Characteristics:
Current Rating: 1.5 AMP.
Dielectric Withstanding Voltage: AC 750V for 1 minute.
Insulator Resistance: 1000MΩ min. at DC 500V.
Contact Resistance: 50mΩ max. at DC 100mA.
Operating Temperature: -55°C~+85°C.
Mechanical Characteristics:
Insertion Force: 35 N.
Extraction Force: 10 N.
Life Cycle: 1500 Cycles.
***RoHS Compliant**

amec

Larger Area 32
30900 Wedemark
Germany

(+49) 5130 / 58642-0
info@amec-gmbh.de
www.amec-gmbh.de



P.C. Board Layout

8968-B 04 C 00 D W A
Series Position C: Selective Gold Plated 00: G/F 30: 30u" D:SMD Type W: White B: Black A: Tray Package T: Tape & Reel Package

Tolerances	Dwg. No.	8968D02024		Title:	
x = ±0.50	Projection	⊕ ⊖		8968 Series USB B Type SMD TYPE	
.x = ±0.25	Unit	mm	Scale		1:1
.xx = ±0.15	Drawn By	Vic Lyu01/08'16			

①522

OUPIN			
OUPIN ELECTRONIC(KUNSHAN) CO., LTD.			
P/N: 8968-B04C00DWA			
SHEET	1/1	Ver.No.	A4