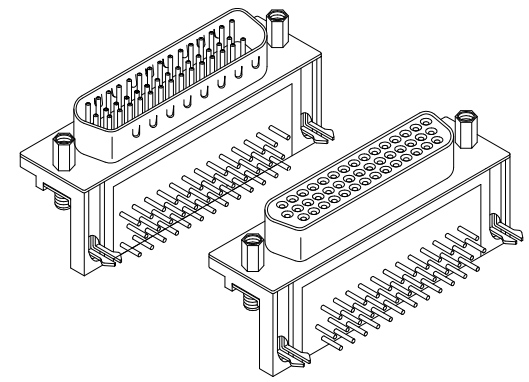


REV.	SPECIFICATION	ECN NO.	APPD.

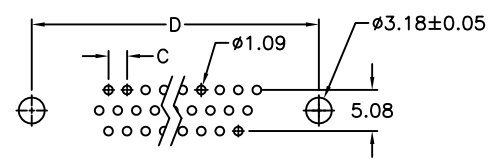
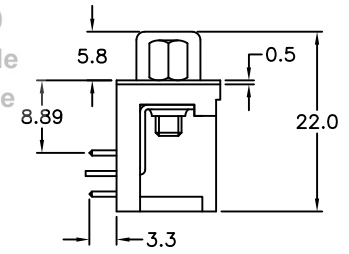
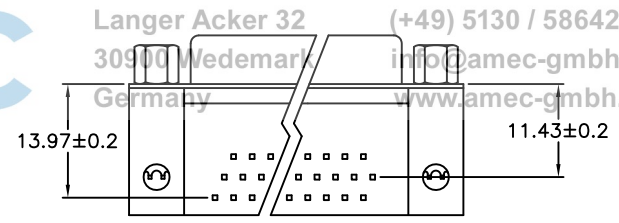
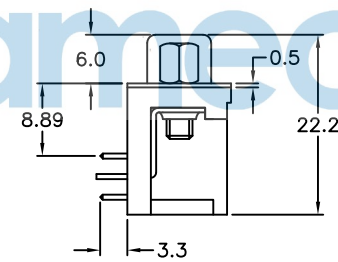
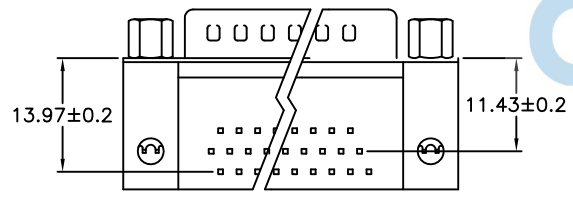
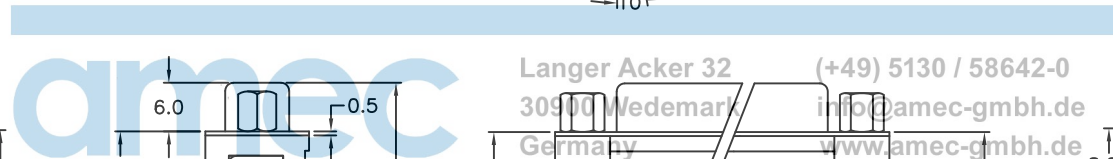
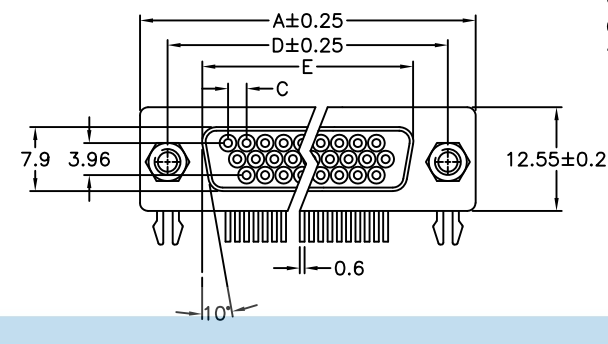
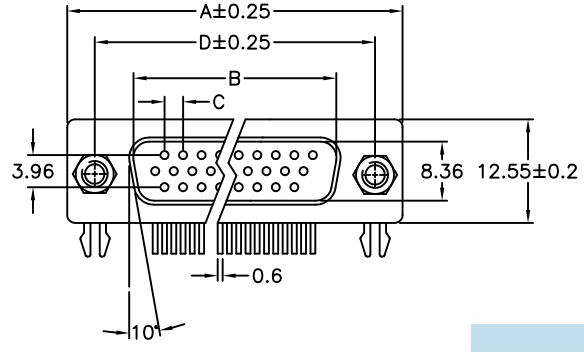


Material:
Housing: Thermoplastic Polyester Glass Filled UL94V-0.
Contacts: Copper Alloy.
Shell: Metal.

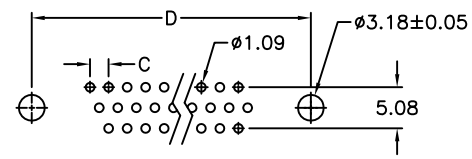
Electrical Characteristics:
Current Rating: 1 AMP.
Dielectric Withstanding Voltage: AC 1000V For 1 minute.
Insulator Resistance: 1000MΩmin. at DC 500V.
Contact Resistance: 30mΩmax. at DC 100mA.
Operating Temperature: -55°C~+105°C.
***RoHS Compliant**

Male

Female



P.C. Board Layout



P.C. Board Layout

Position	Dimension				
	A	B	C	D	E
26	39.14	25.25	2.29	33.32	24.66
44	53.04	38.96	2.29	47.04	38.38
62	69.32	55.42	2.41	63.50	54.84

7916-xx F A A
Series Position M: Male A: With Grounding Forks and With Jack Screws Attached.
F: Female A: Tray Package

Tolerances	Dwg No.	7916D03009
x = ±0.5	Projection	
.x = ±0.25	Unit	mm
.xx = ±0.15	Scale	1:1
	Drawn By	Vic Lyu12/29'15

Title: 7916 Series
H.D. D-SUB
Right Angle Type

OUPIN			
OUPIN ELECTRONIC(KUNSHAN) CO., LTD.			
P/N: 7916-xxMAA&7916-xxFAA			
SHEET	1/1	Ver.No.	A4