

Specification:

MATERIAL

- 1.HOUSING: GLASS-REINFORCED THERMOPLASTIC UL 94V-0.
- 2.CONTACT: BRASS.
- 3.PLATING: GOLD PLATING ON CONTACT AREA
TIN PLATED ON SOLDER TAILS, NICKEL UNDER PLATED ALL OVER.
- 4.SHELL: BRASS. THICKNESS: 0.30mm.
- 5.PLATING: ALL SHELL AREA PLATED NICKEL.

ELECTRICAL

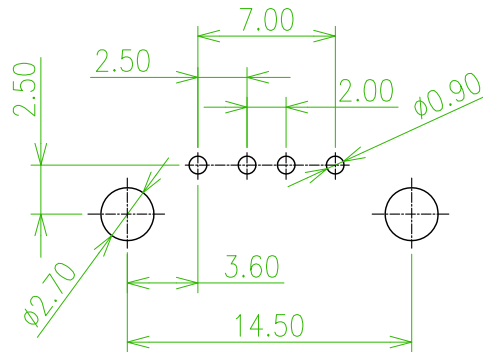
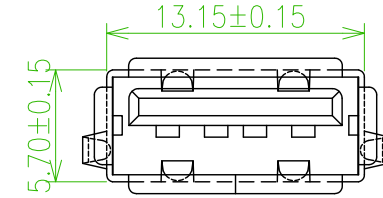
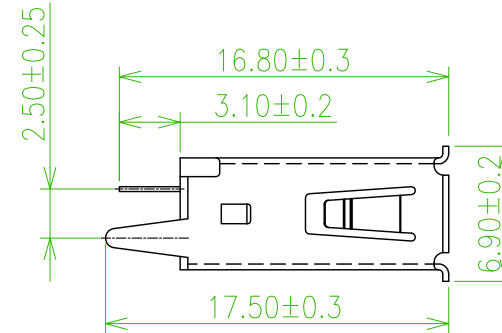
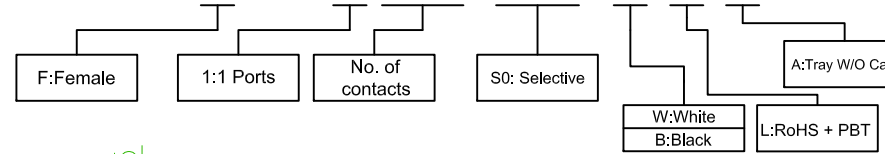
- 1.CURRENT RATING: 1.5AMP
- 2.DIELECTRIC WITHSTANDING VOLTAGE: 750V AC MIN
- 3.CONTACT RESISTANCE: 30mΩ MAX
- 4.INSULATION RESISTANCE: 1000MΩ MIN

ENVIRONMENTAL

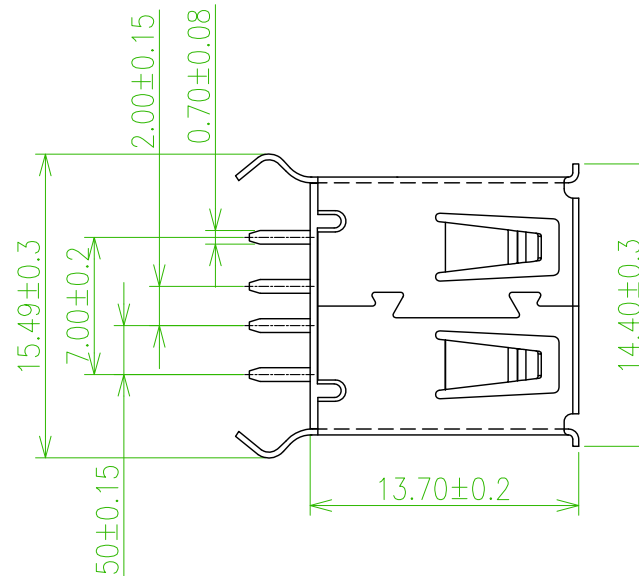
TEMPERATURE RANGE: -25°C TO +85°C

ORDER INFORMATION

5 U S 2 A 0 4 D F - 1 0 4 S 0 X L A R 1




RECOMMENDED P.C.B LAYOUT



Langer Acker 32
30900 Wedemark
Germany

(+49) 5130 / 58642-0
info@amec-gmbh.de
www.amec-gmbh.de

 糧德精密有限公司 Amtek Technology Co., Ltd. TEL: 886-2-2260-6878 FAX: 886-2-2260-8030	品名 TITLE	USB A TYPE FEMALE DIP 180°			頁數 Page	1/1
	品號 PART NO.	5US2A04DF-104S0XLAR1			繪圖 DRAWN	Jeff 2016/09/19
	圖號 DRAWING NO.	GN033-EL315	版本 REV.	A	核對 CHECKED	Johnny 2016/09/19
	客戶品號 CUSTOMER P/N		比例 SCALE	None	承認 APPROVED	Aaron 2016/09/19
	公差 TOLERANCE	.X ± 0.20 .XX ± 0.15	單位 UNIT	mm	THIRD ANGLE PROJECTION	