

**SPECIFICATION**

Current Rating: 0.5 AMP  
 Insulation Resistance: 100MΩ Min. (Unmate)/10MΩ Min. (Mate)  
 Contact Resistance: 30mΩ Max.  
 Dielectric Voltage: 500VAC for one minute (Unmate)  
 /300VAC for one minute (Mate)  
 Insertion Force: 4.5Kgf Max.  
 Extraction Force: 1.0Kgf Min.  
 Operation Temperature: -25°C to +85°C

**MATERIAL**

Contact: Copper Alloy  
 Insulator: Hi-Temp. Thermoplastic, UL94V-0  
 Shell: Copper Alloy

**ORDER INFORMATION**

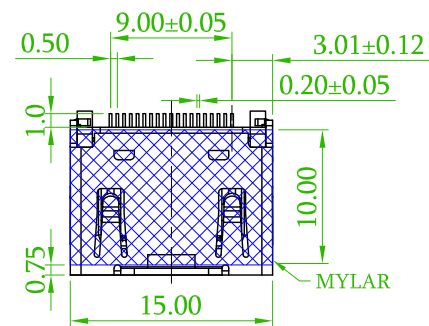
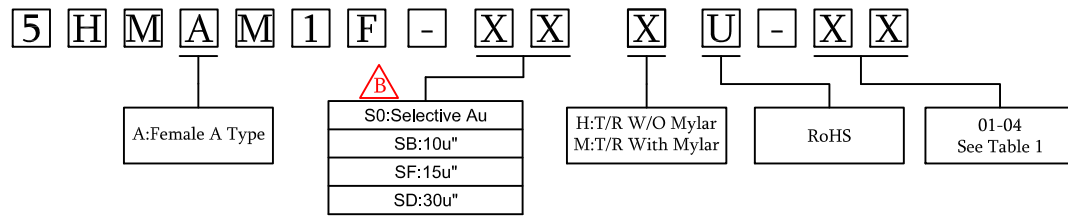
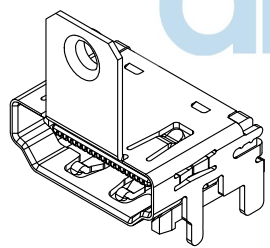
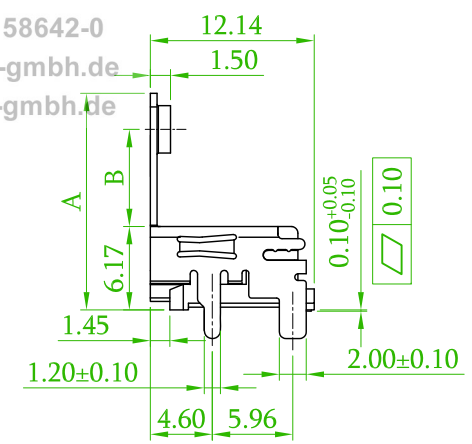
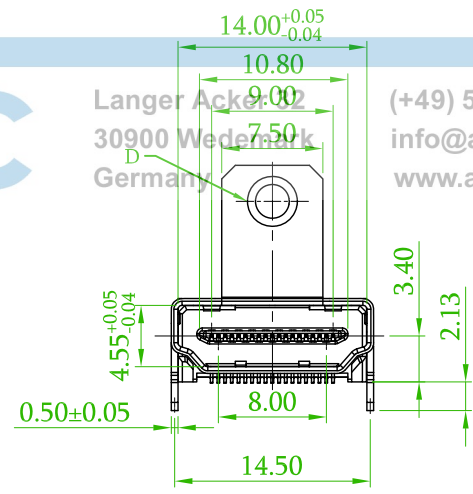


Table 1

CODE	A	B	C	D
01	16.04	7.20	9.975	M3X0.5
02	14.04	5.20	7.975	M3X0.5
03	16.04	7.20	9.975	#4-40
04	14.04	5.20	7.975	#4-40

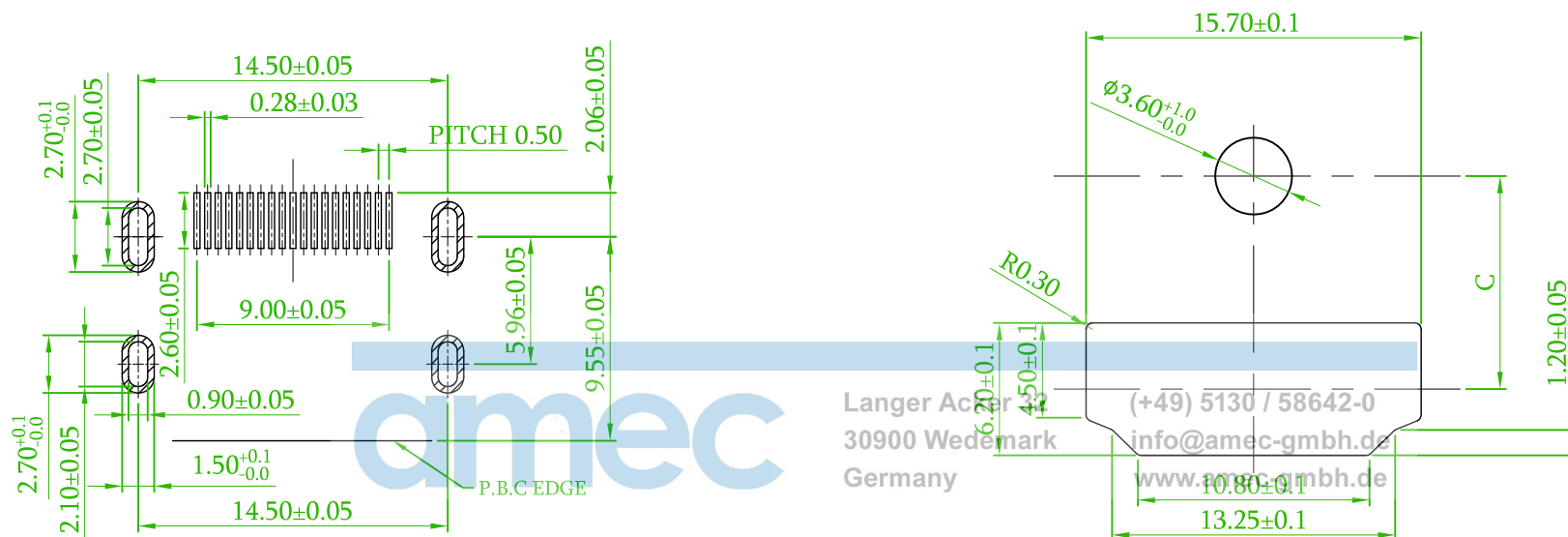


Langer Acker 32  
 30900 Wedemark  
 Germany  
 (+49) 5130 / 58642-0  
 info@amec-gmbh.de  
 www.amec-gmbh.de



REV.	ECN NO. OR DESCRIPTION	REVISED	DATE
B	ECN NO. : 170631. Revise plating: G0, GB, GF, GD -> S0, SB, SF, SD.	B	2017/06/29 Gary

 耀德精密有限公司 Amtek Technology Co., Ltd. TEL: 886-2-2260-6878 FAX: 886-2-2260-8030	品名 TITLE	HDMI TYPE A RESOURCES ENTERPRISES CORP.				頁數 Page	1/2
	品號 PART NO.	5HMAM1F-XXXU-XX				繪圖 DRAWN	Gary 2017/04/17
	圖號 DRAWING NO.	GN127-GA377		版本 REV.	B	核對 CHECKED	Jonny 2017/04/17
	客戶品號 CUSTOMER P/N			比例 SCALE	None	承認 APPROVED	Aaron 2017/04/17
	公差 TOLERANCE	.X ± 0.35 .XX ± 0.25	.X°±3	單位 UNIT	mm	THIRD ANGLE PROJECTION	




Langer Ackerstr. 44  
30900 Wedemark  
Germany  
(+49) 5130 / 58642-0  
info@amec-gmbh.de  
www.amec-gmbh.de

RECOMMENDED P.C.B. LAYOUT (T:1.20mm)  
TOLERANCE UNSPECIFIED±0.05mm

RECOMMENDED PANEL CUT OUT DIMENSION

REV.	ECN NO. OR DESCRIPTION	REVISED	DATE
B	ECN NO. : 170631. Revise plating: G0, GB, GF, GD -> S0, SB, SF, SD.	B	2017/06/29 Gary

 <b>糧德精密有限公司</b> Amtek Technology Co., Ltd. TEL: 886-2-2260-6878 FAX: 886-2-2260-8030	品名 TITLE	HDMI TYPE A RESOURCES ENTERPRISES CORP.				頁數 Page	2/2
	品號 PART NO.	5HMAM1F-XXXU-XX				繪圖 DRAWN	Gary 2017/04/17
	圖號 DRAWING NO.	GN127-GA377	版本 REV.	B	核對 CHECKED	Jonny 2017/04/17	
	客戶品號 CUSTOMER P/N		比例 SCALE	None	承認 APPROVED	Aaron 2017/04/17	
	公差 TOLERANCE	.X ± 0.35 .XX ± 0.25	.X°±3	單位 UNIT	mm	THIRD ANGLE PROJECTION	