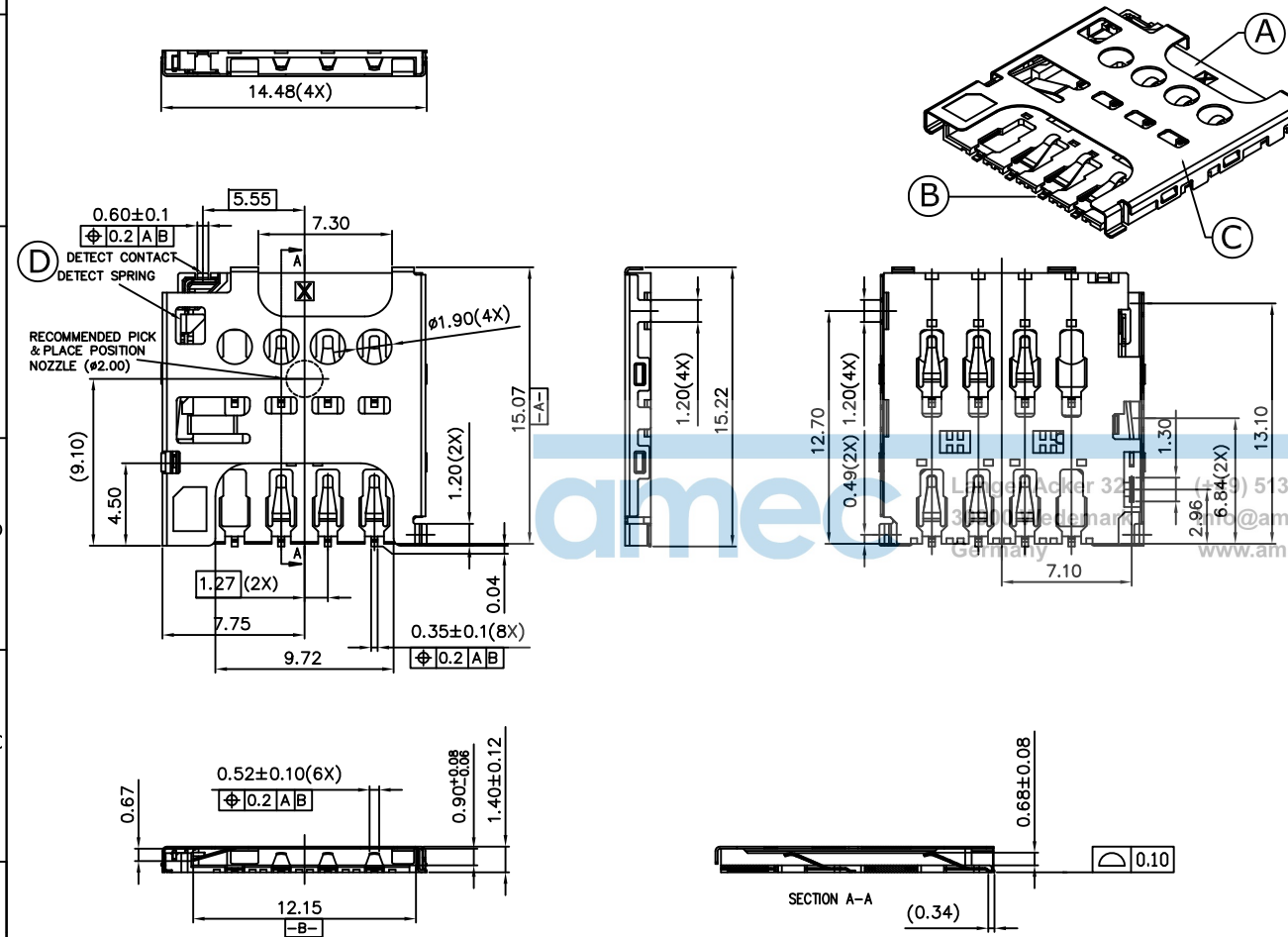


SWITCH CIRCUIT			MATERIAL AND FINISH AS BELOW								
WHEN CARD IS EJECTED		WHEN CARD IS INSERTED	A	Housing	LCP UL94V-0, Color:Black			D	Switch	Brass C2680, Contact Area: 5u" Gold Solder Tail:Gold Flash	
CLOSE		OPEN	B	Contact	Phosphor Bronze C5210, Contact Area: 15u" Gold Solder Tail:Gold Flash			E			
			C	Shell	Stainless Steel, Solder Tail:Tin Plated			F			



SPECIFICATION:

- 1. ELECTRICAL**
 - 1.1 Current Rating: 0.5A
 - 1.2 Voltage Rating: 10VDC
 - 1.3 Contact Resistance: 100mΩ Max
 - 1.4 Insulation Resistance: 1000MΩ
 - 1.5 Dielectric Withstanding Voltage: 500VAC for 1 minute
- 2. MECHANICAL**
 - 2.1 Durability: 500 Cycle
 - 2.2 Contact Normal Force : 0.3N~0.35N
 - 2.3 Insert Force: 10N
 - 2.4 Withdrawal Force: 0.5N
- 3. ENVIRONMENTAL**
 - 3.1 Operating temperature range: -40°C to +85°C
 - 3.2 Storage temperature range: -40°C to +85°C
- 4. SOLDER ABILITY**
 - 4.1 Recommended IR Reflow Temperature: 260°C 10Sec

Vcc	RST	CLK	NA	GND	Vpp	I/O	NA				
C1	C2	C3	C4	C5	C6	C7	C8				

PIN ASSIGNMENT											
115I-AEAA Micro SIM Socket 6Pin SMD Type, 15u" Gold Plating											
PRODUCT NO.						DESCRIPTION					

UNLESS OTHERWISE SPECIFIED TOLERANCE		
ANGLES	ANG.	±5°
LINEAR	0.	±0.3
	0.0	±0.25
	0.00	±0.20
SCALE	AS SHOWN	UNIT: mm
DRAWN	Willis	2013/10/16
CHECKED	Angel	2013/10/16
APPROVED	Ken	2013/10/16



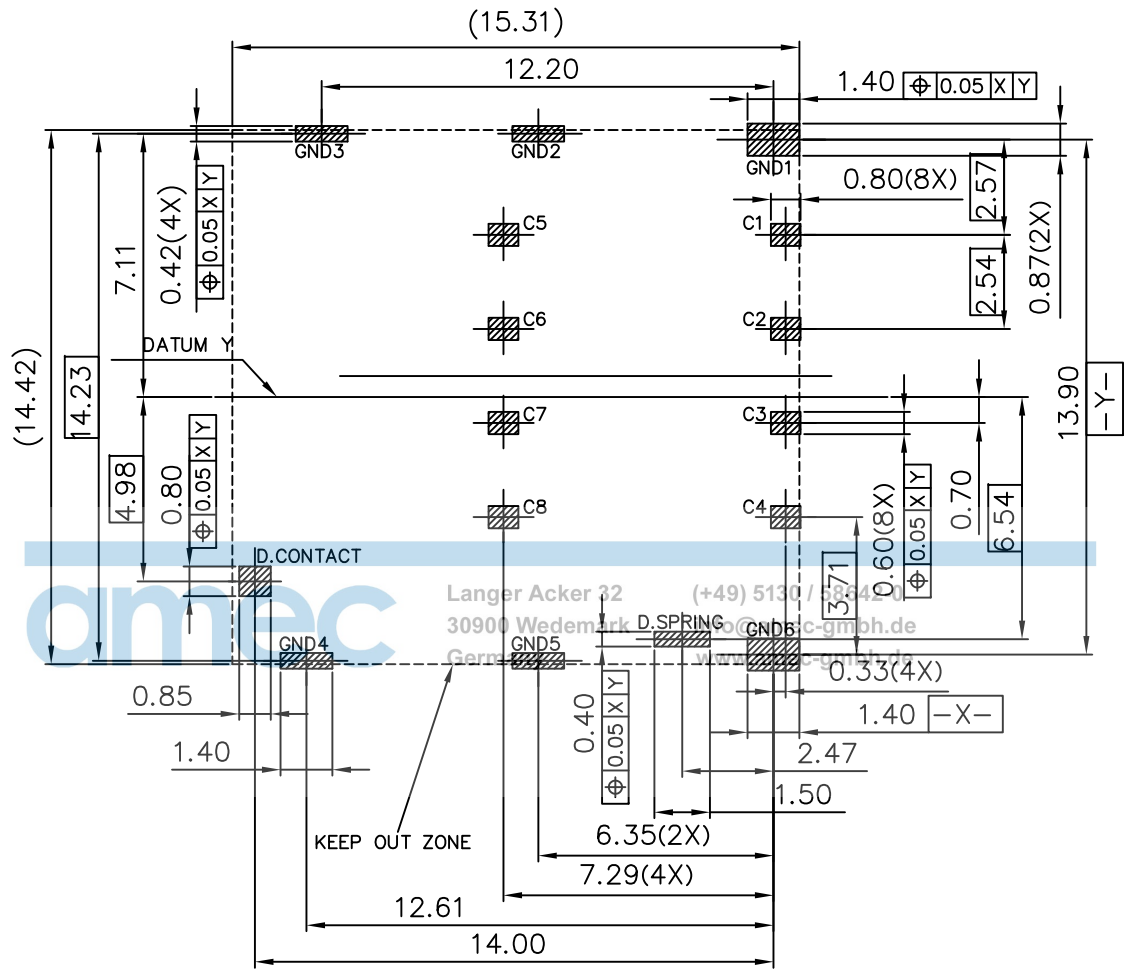
www.attend.com.tw

DRAWN NAME: Micro SIM Card Socket with Detect Pin SMD Type Hight 1.4mm

PRODUCT NO. 115I-AEAA

FILE NAME 115I-AEAA_B_1

REV.	DESCRIPTION	DATE	REV.	DESCRIPTION	DATE	SIZE	REV.	FILE NAME
1			4			A4	1.0	115I-AEAA_B_1



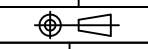
RECOMMENDED P.C.B LAYOUT
ALL TOLERANCE ±0.05mm

UNLESS OTHERWISE SPECIFIED TOLERANCE		
ANGLES	ANG.	±5°
LINEAR	0.	±0.3
	0.0	±0.25
	0.00	±0.20
SCALE	AS SHOWN	UNIT: mm
DRAWN	Willis	2013/10/16
CHECKED	Angel	2013/10/16
APPROVED	Ken	2013/10/16



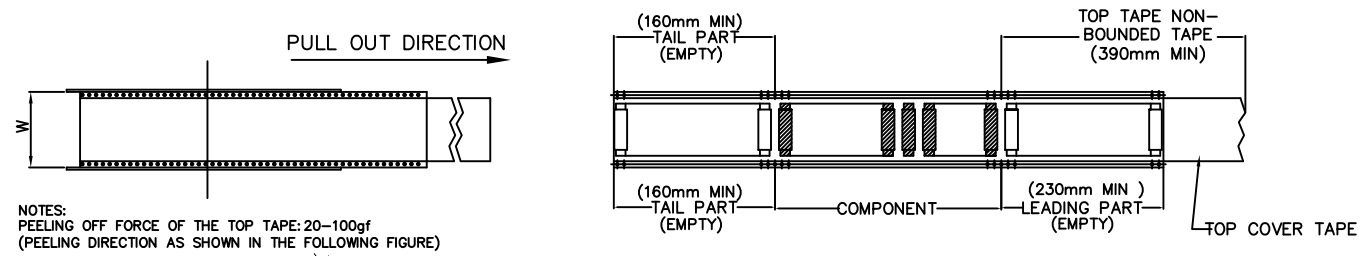
www.attend.com.tw	
DRAWN NAME: Micro SIM Card Socket with Detect Pin SMD Type Hight 1.4mm	
PRODUCT NO.	115I-AEAA
FILE NAME	115I-AEAA_B_1

REV.	DESCRIPTION	DATE	REV.	DESCRIPTION	DATE

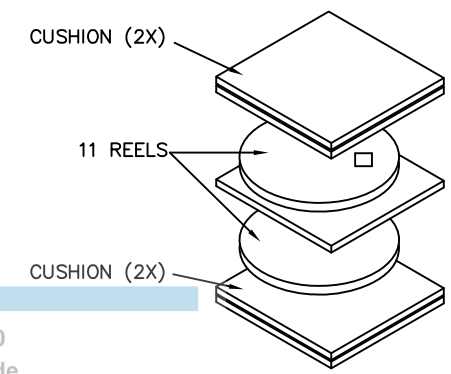
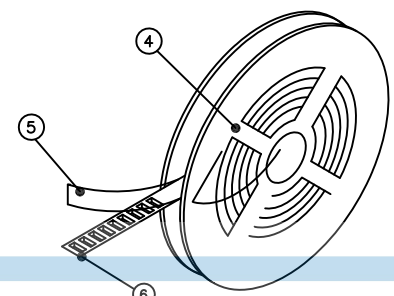
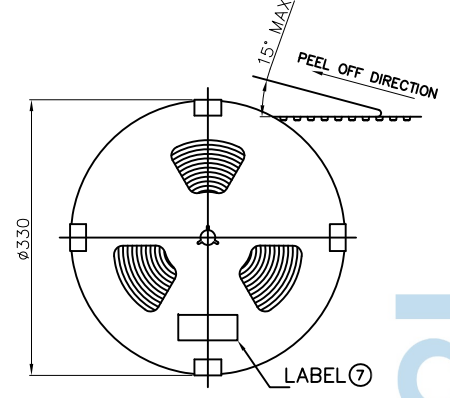


SIZE	A4
REV.	1.0

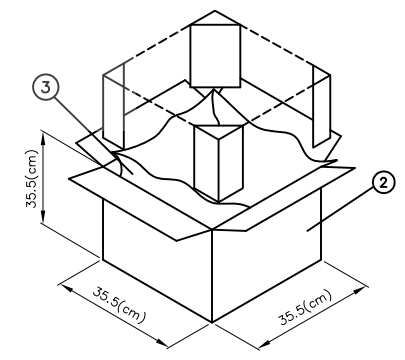
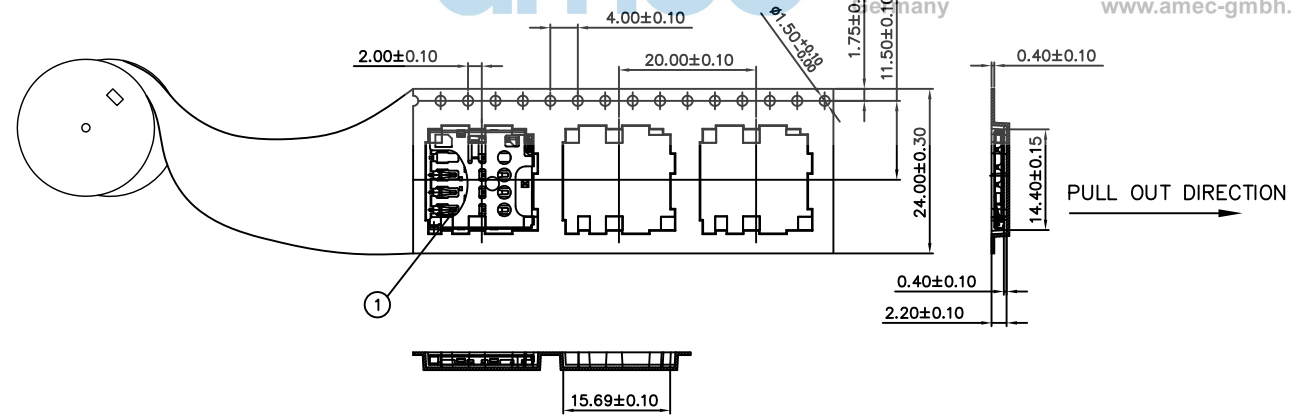
ITEM	PARTS NAME	FINISH/REMARK
1	I/O CONNECTOR	13200 PCS/BOX(REFERENCE)
2	BOX	11 REEL/BOX
3	WATERPROOF BAG	1 PCS
4	REEL	--
5	TOP COVER TAPE	(COLOR: TRANSPARENT)
6	CARRIER TAPE	1200 PCS/REEL(REFERENCE)
7	LABEL	



NOTES:
PEELING OFF FORCE OF THE TOP TAPE: 20-100gf
(PEELING DIRECTION AS SHOWN IN THE FOLLOWING FIGURE)



amec Langer Acker 32 (+49) 5130 / 58642-0
30900 Wedemark info@amec-gmbh.de
Company www.amec-gmbh.de



REV.	DESCRIPTION	DATE	REV.	DESCRIPTION	DATE	SIZE	REV.	FILE NAME
1			4			A4	1.0	115I-AEAA_D_1

UNLESS OTHERWISE SPECIFIED TOLERANCE			ATTEND		
ANGLES	ANG.	±5°	www.attend.com.tw		
LINEAR	0.	±0.3			
	0.0	±0.25			
	0.00	±0.20			
SCALE	AS SHOWN	UNIT: mm	DRAWN NAME: Micro SIM Card Socket with Detect Pin SMD Type Hight 1.4mm		
DRAWN	Willis	2013/10/16	PRODUCT NO. 115I-AEAA		
CHECKED	Angel	2013/10/16	FILE NAME		
APPROVED	Ken	2013/10/16			