

CARD DETECT SW. STATUS.

- NOTES:
1. MATERIAL:  
HOUSING: LCP+30% G.F., UL 94V-0 RATED, COLOR BLACK.  
CONTACTS: COPPER ALLOY.  
SHIELD COVER: SUS304, 0.2T.
  2. PLATING:  
CONTACT AREA: HARD GOLD PLATING OVER 1.27  $\mu\text{m}$  (50  $\mu\text{Å}$ ) MIN, NICKEL UNDERPLATING.  
SOLDERING ZONE: 3.05  $\mu\text{m}$  (120  $\mu\text{Å}$ ) MIN. 100% TIN, OR LEAD-FREE PLATING PER PART NUMBER DESIGNATION, OVER NICKEL UNDERPLATING.  
SHIELD COVER: GOLD FLASH NICKEL UNDERPLATING.  
UNDERPLATING: 1.27  $\mu\text{m}$  (50  $\mu\text{Å}$ ) MIN. NICKEL ALLOVER.
  3. CUTTING BURR ALLOWED: 0.03mm MAX.
  4. THE DIMENSIONS MARKED WITH "■" ARE CRITICAL DIMENSIONS.
  5. COPLANARITY IS 0.10mm MAX.
  6. RoHS COMPLIANT PRODUCTS.
  7. DATE CODE MARKING:

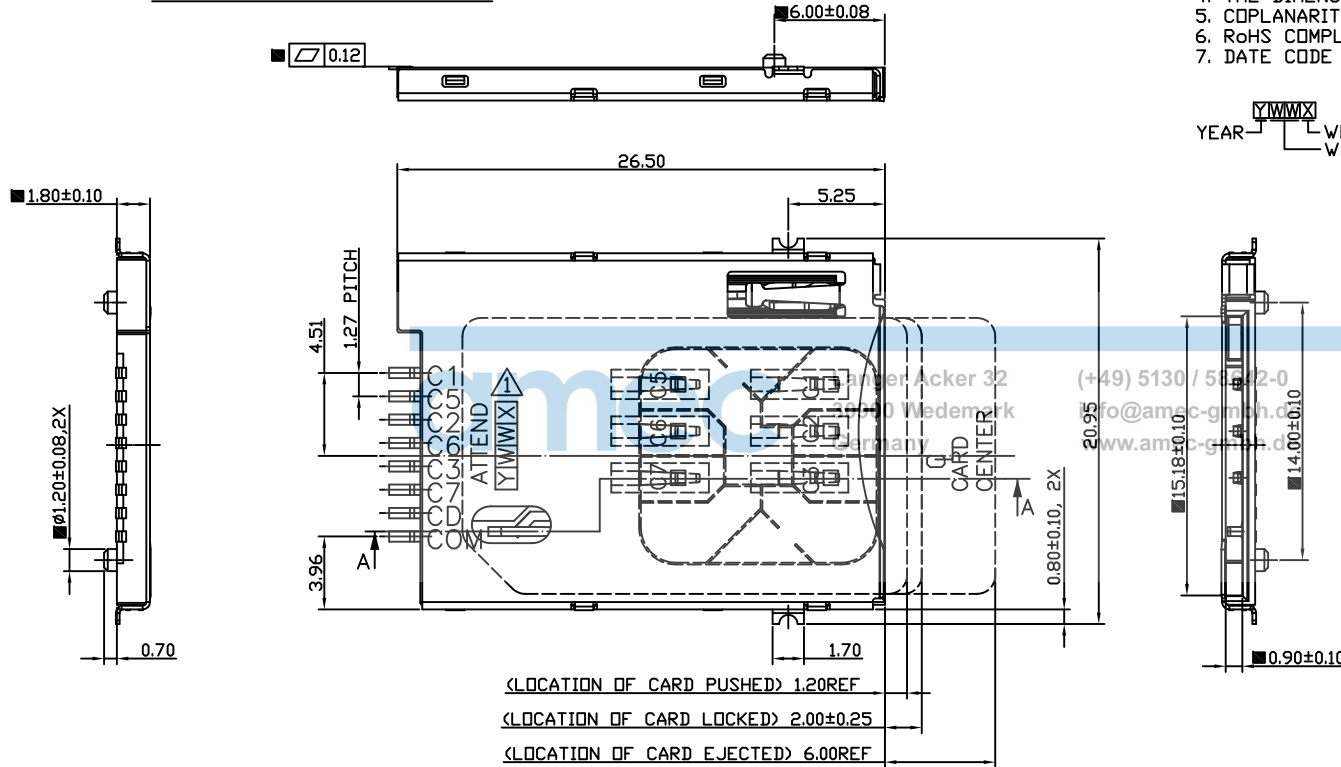


PRODUCT NUMBER:  
115A-A D A 0-R02  
1 2 3 4 5

- 1.Type  
A:6 Pin
- 2.Contact Plating  
D:10u"Gold Plating
- 3.Stand Off  
A:0mm
- 4.Peg Type  
0:w/Peg
- 5.RoHS

PARTS LIST

ITEM	DESCRIPTION	QTY(PC'S)
1	HOUSING	1
2	SLIDER	1
3	MAIN CONTACT	1
4	COM CONTACT	1
5	CD CONTACT	1
6	METAL COVER	1
7	CRANK	1
8	SPRING	1



UNLESS OTHERWISE SPECIFIED TOLERANCE

ANGLES	ANG.	±5°
LINEAR	0.	±0.3
	0.0	±0.25
	0.00	±0.20

SCALE	AS SHOWN	UNIT: mm
DRAWN	Willis	2012/08/03
CHECKED	Angel	2012/08/03
APPROVED	Ken	2012/08/03

**ATTEND**

www.attend.com.tw

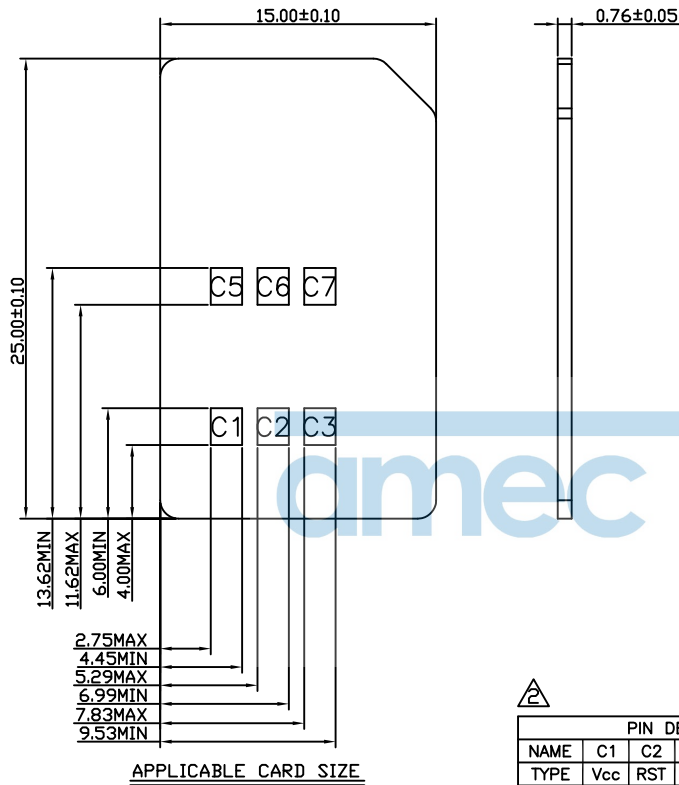
DRAWN NAME: Willis

SIM Card Socket 6+2Pin Push-Push Type

PRODUCT NO. 115A-ADA0-R02

- Revise:
- Revise: pin definition
- Revise: date code marking

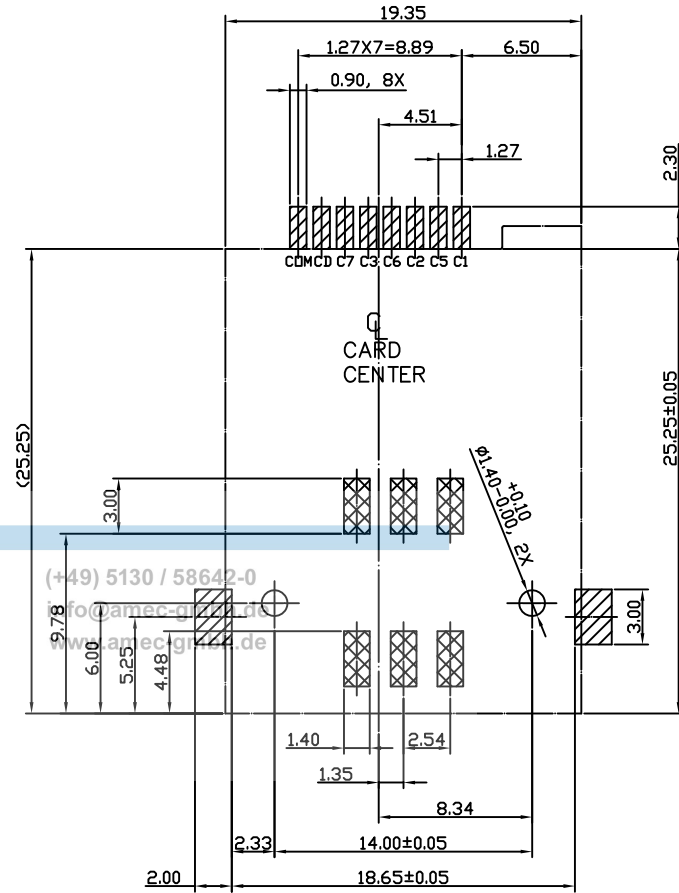
REV.	DESCRIPTION	DATE	REV.	DESCRIPTION	DATE	SIZE	REV.	FILE NAME
1			4			A4	1.0	115A-ADA0-R02_B_3



APPLICABLE CARD SIZE

Langer Acker 32  
30900 Wedemark  
Germany

PIN DEFINITION						
NAME	C1	C2	C3	C5	C6	C7
TYPE	Vcc	RST	CLK	GND	Vpp	I/O



RECOMMENDED PCB LAYOUT

— TRACER PROHIBITION AREA

UNLESS OTHERWISE SPECIFIED TOLERANCE		
ANGLES	ANG.	±5°
LINEAR		±0.3
		±0.25
		±0.20
SCALE	AS SHOWN	UNIT: mm
DRAWN	Willis	2012/08/03
CHECKED	Angel	2012/08/03
APPROVED	Ken	2012/08/03

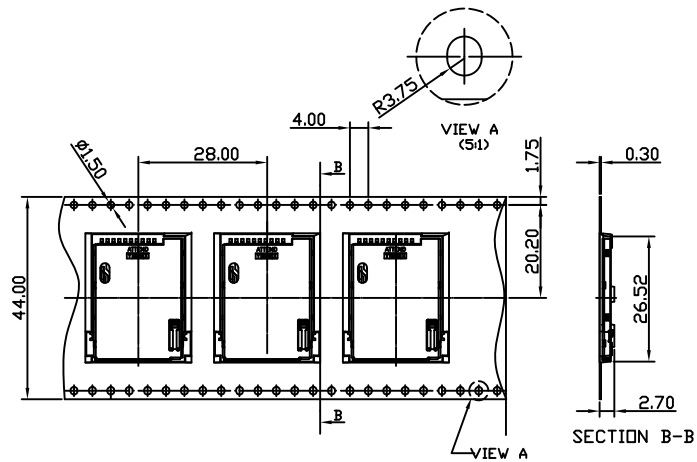


www.attend.com.tw

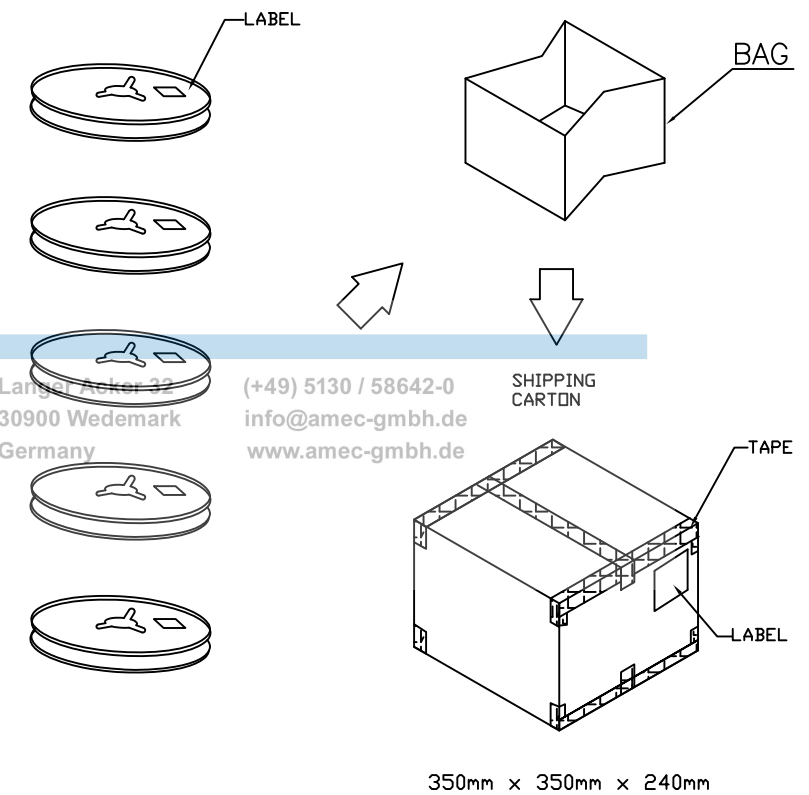
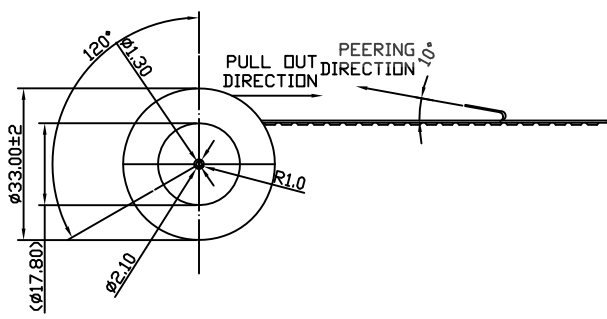
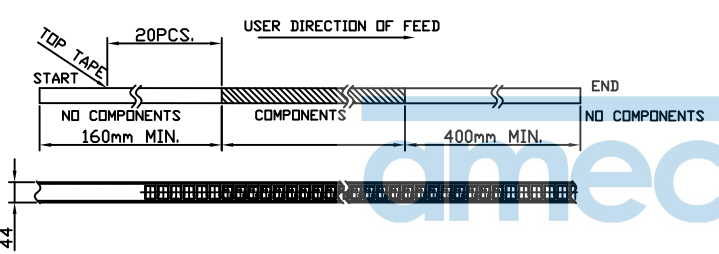
REV.	DESCRIPTION	DATE	REV.	DESCRIPTION	DATE	SIZE	REV.	FILE NAME
1						A4	1.0	115A-ADA0-R02_B_3

Revise:								
Revise: pin definition					2010/10/11	CHECKED	Angel	2012/08/03
Revise: date code marking					2009/11/25	APPROVED	Ken	2012/08/03

DRAWN NAME:		SIM Card Socket 6+2Pin Push-Push Type	
PRODUCT NO.	115A-ADA0-R02	FILE NAME	115A-ADA0-R02_B_3



NOTE:  
 1. 115A SERIES STANDARD PACKING: 500 PCS/REEL  
 2. 5 REEL/SHIPPING CARTON



REV.	DESCRIPTION	DATE	REV.	DESCRIPTION	DATE	SIZE	REV.	FILE NAME	
1			1			A4	1.0	115A-ADA0-R02_D_2	
						UNLESS OTHERWISE SPECIFIED TOLERANCE		www.attend.com.tw	
						ANGLES	ANG.	±5°	
						LINEAR		0.0 ±0.3	
								0.0 ±0.25	
								0.00 ±0.20	
						SCALE	AS SHOWN	UNIT: mm	
						DRAWN	Willis	2012/08/03	
						CHECKED	Angel	2012/08/03	
						APPROVED	Ken	2012/08/03	
						DRAWN NAME:		SIM Card Socket 6+2Pin Push-Push Type	
						PRODUCT NO.		115A-ADA0-R02	



- △ Revise:
- △ Revise: pin definition
- △ Revise: date code marking